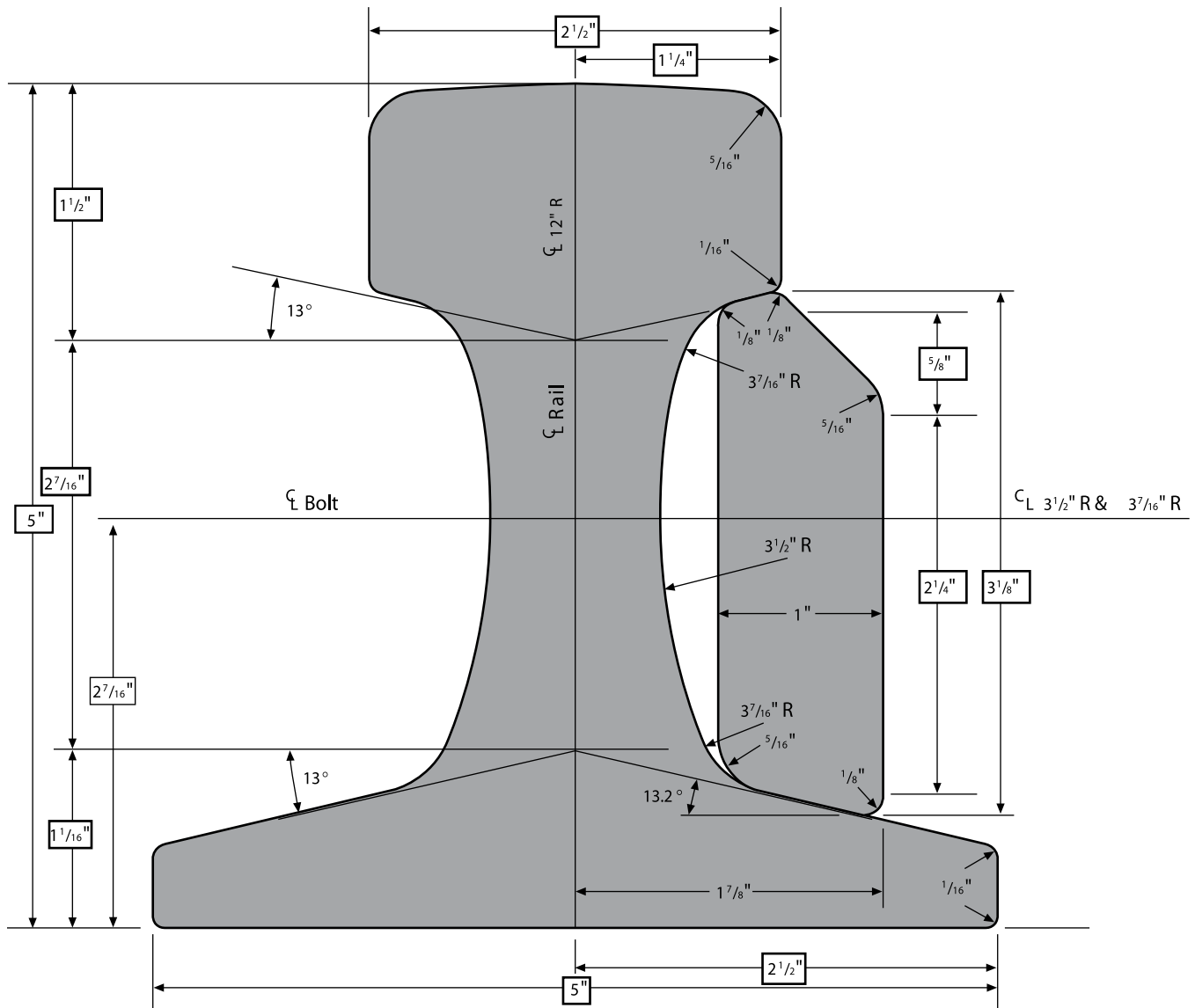


104-lb CRANE RAIL specifications

Scale: Drawing is actual size

LB Foster
Rail Products



SPLICE BAR

34" length, 52 lbs. per pair. Hex Head Bolts 1" x 5" and Heavy Hex Nuts – Heat Treated

Area In ²	3.23
Lbs/Ft	10.98
Lbs/Bar	30.1

RAIL (39 FT, 60 FT, 78 FT)

Area In ²	10.29
Sec. Modulus In ³ Head	10.69
Base	13.51
Mom. Inertia In ⁴	29.84
Lbs/Yd (Nominal)	104.0