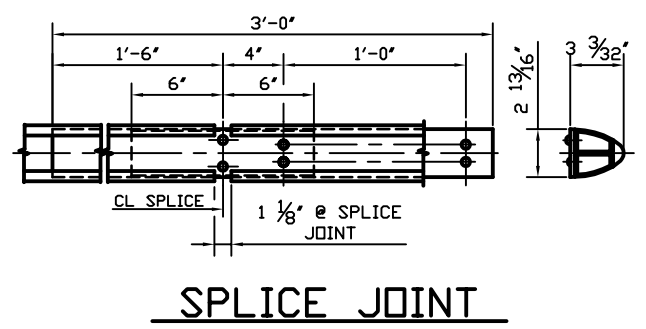
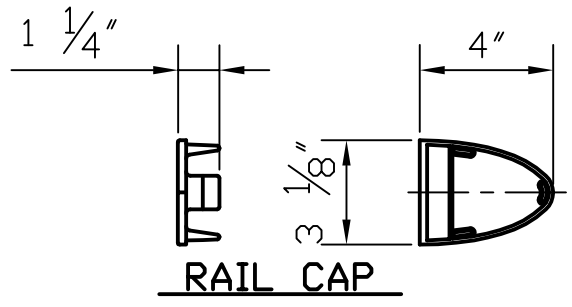
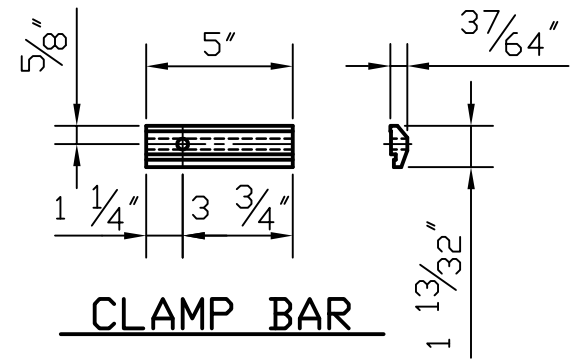
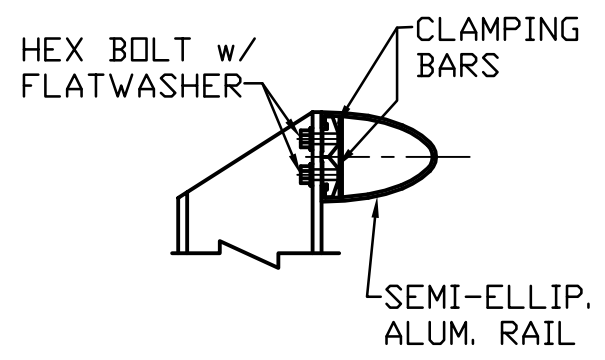
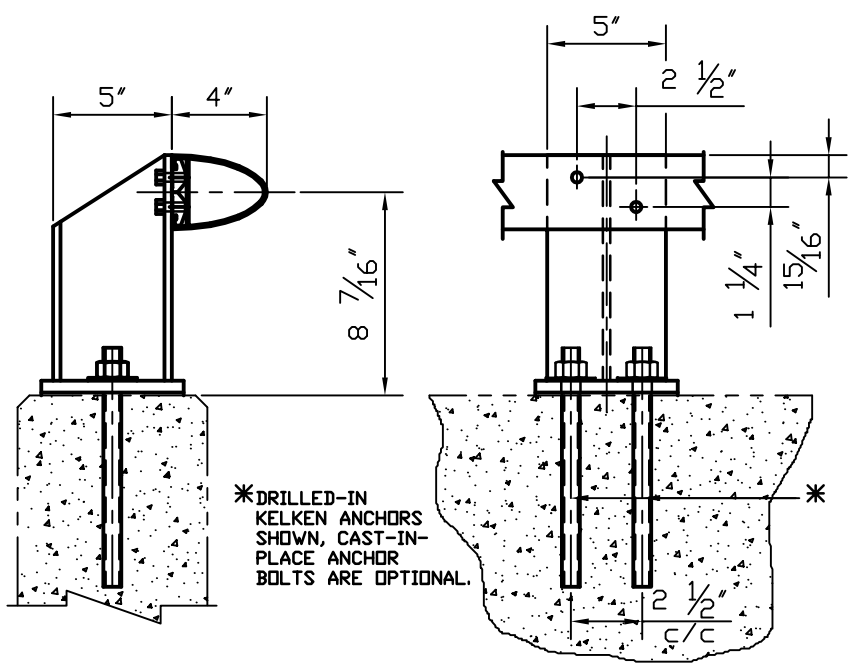


L. B. FOSTER COMPANY  
 1016 GREENTREE ROAD  
 PITTSBURGH, PA. 15220

BRIDGE RAIL SYSTEM FOR:

FLORIDA

|           |            |
|-----------|------------|
| STYLE:    | FABRICATED |
| TYPE:     | 1-LINE     |
| MATERIAL: | ALUMINUM   |



MATERIAL SPECIFICATIONS:

RAILS, POSTS, SPLICES, CLAMP BARS & COVER PLATES:

ALUMINUM A.S.T.M. B221, ALLOY 6061-T6

POST BASE PLATES:

ALUMINUM B209, ALLOY 6061-T6

HEX HD. CAP SCREWS:

A.S.T.M. A593, SERIES 300

ALUMINUM WASHERS:

A.S.T.M. B209, 2024-T4 ALCLAD

STEEL ANCHOR RODS:

A.S.T.M. A36, GALV. PER A153

STEEL WASHERS:

A.S.T.M. F436, GALV. PER A153

STEEL HEX NUTS:

A.S.T.M. A563, GRADE A, GALV. PER

RESILIENT PADS:

PER SECTION 932-2.1

ALUMINUM END CAPS:

A.S.T.M. B26, 356-F

