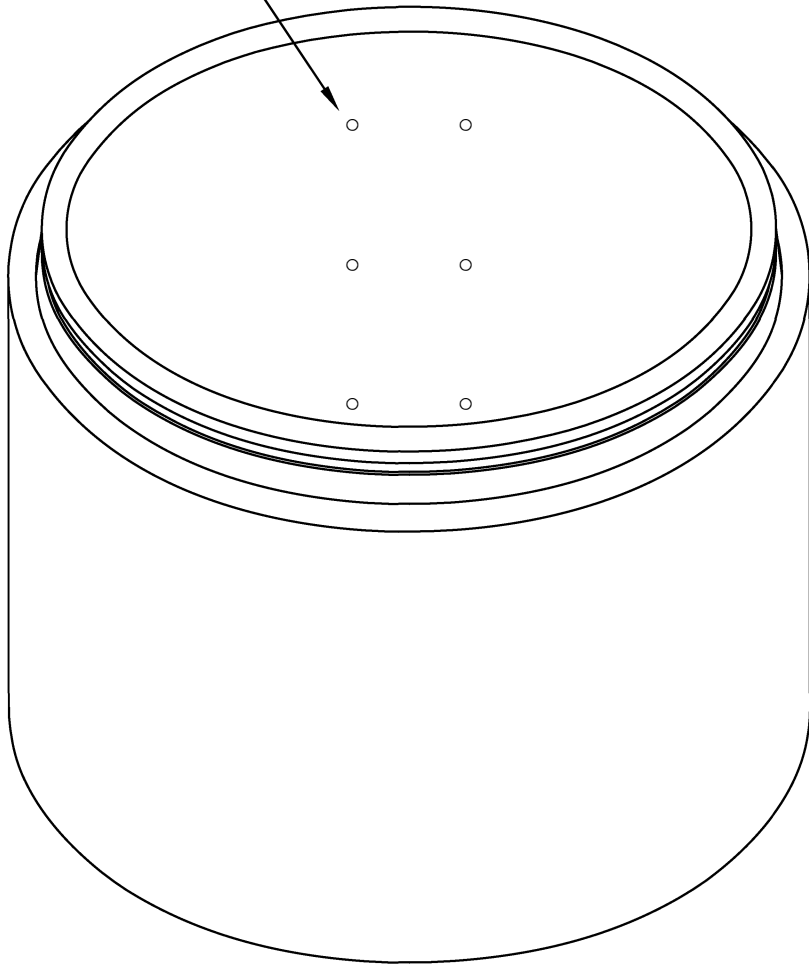
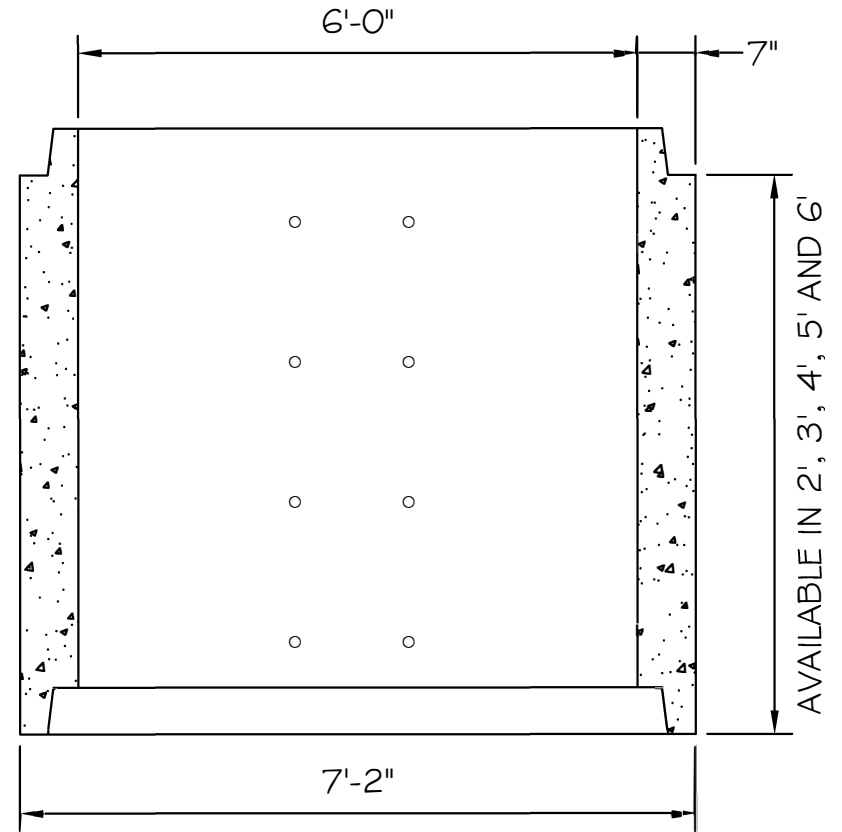


HOLES CAST IN PLACE FOR MANHOLE STEPS, ON 12" CENTERS



ISOMETRIC VIEW



SECTION VIEW

NOTE:
MANHOLE RISERS ARE MANUFACTURED
TO ASTM C-478-90B SPECIFICATION

PHONE: 800-837-8918



P.O. Box 265, WAVERLY, WV 26184-0265

MANHOLE RISER 72" DIA

DWG. NO.

1

OF

1

FILE#

DRAWN BY

KJK

DATE

4/13/2012

REV

DATE