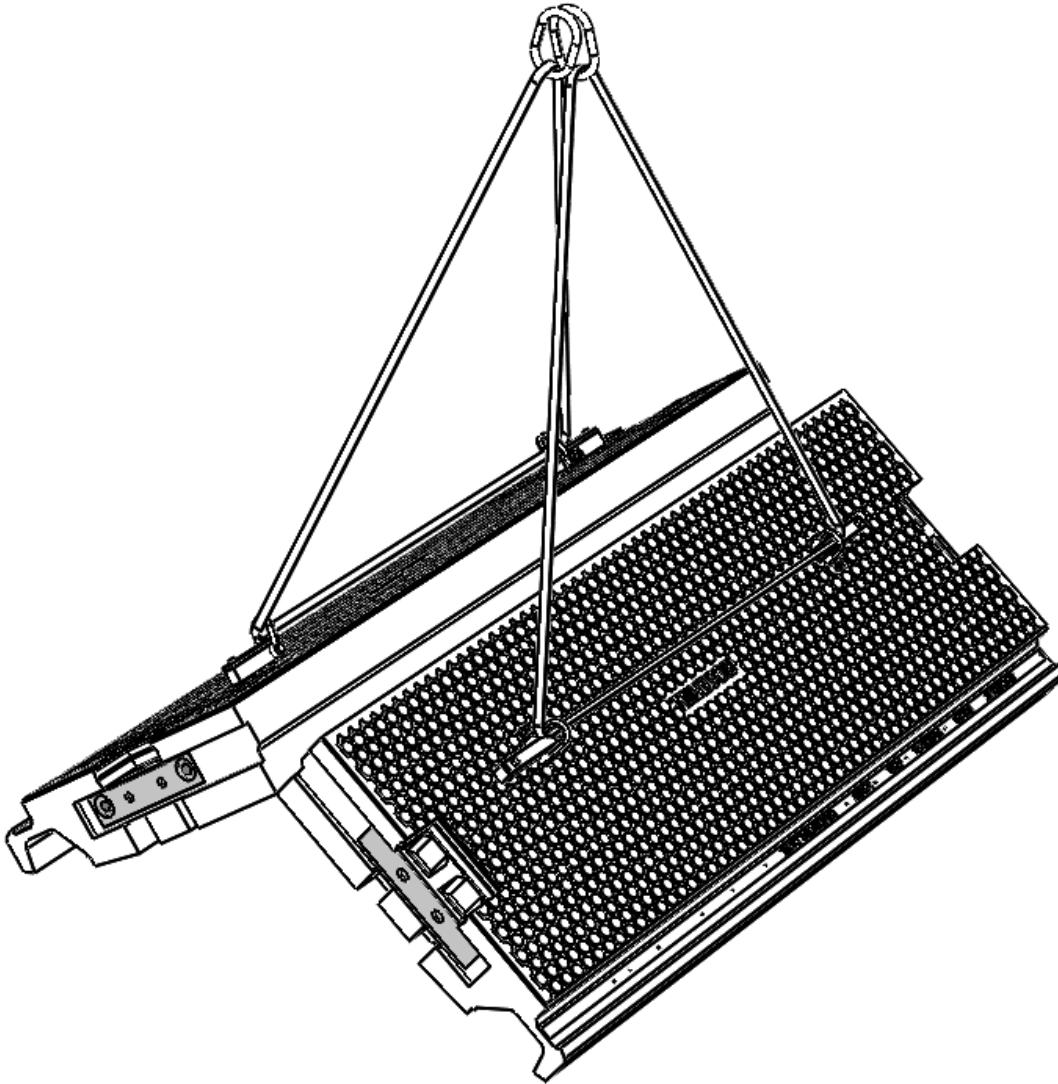




Rosehill Rail

Interlocking Crossing System



Installation Guide

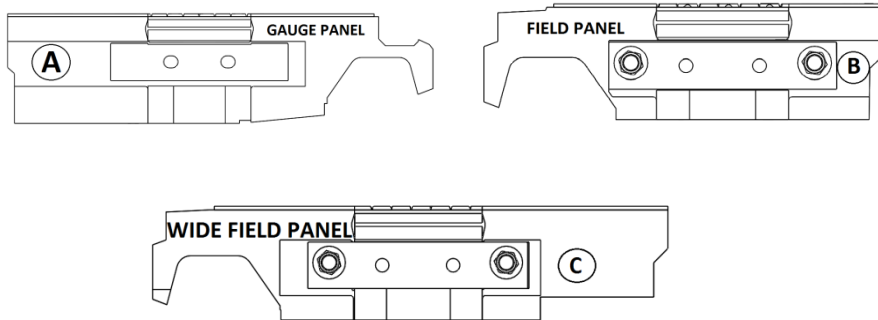
rosehillrail.com



© Rosehill Polymers 2017

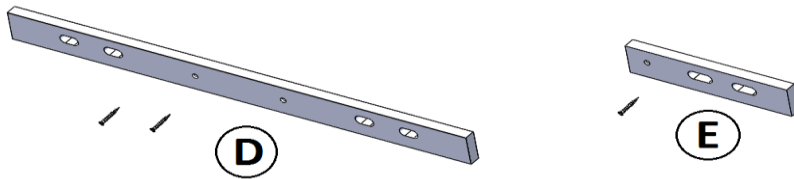
INTERLOCKING COMPONENTS LIST

PANELS



CONNECTOR PLATES & FIXING SCREWS

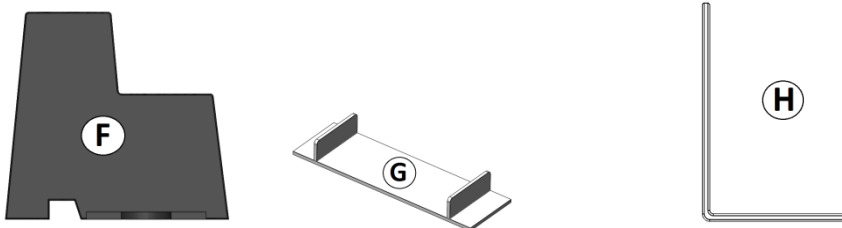
(GAUGE & FIELD)



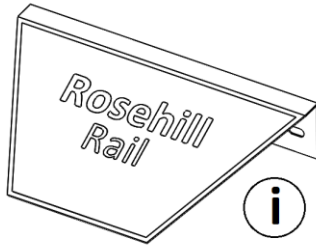
RUBBER EDGE BEAM

PVC EDGE BEAM

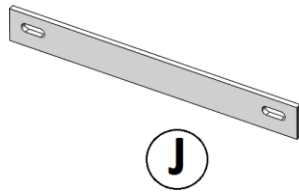
& CONNECTING PLATE



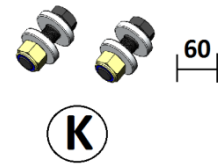
CHAIN GUARD



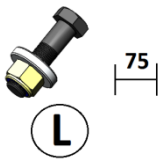
PACKER



FIXING BOLTS



PANEL BOLTS



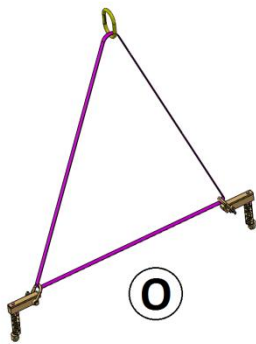
DOUBLE COVER



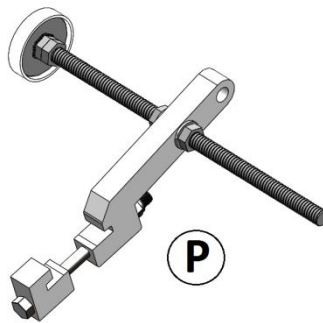
END COVER



LIFTING PIN KIT



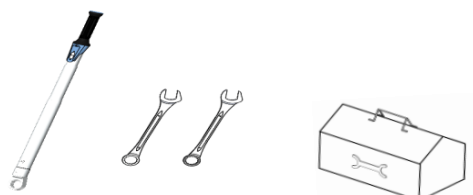
MOVEMENT RESTRICTOR



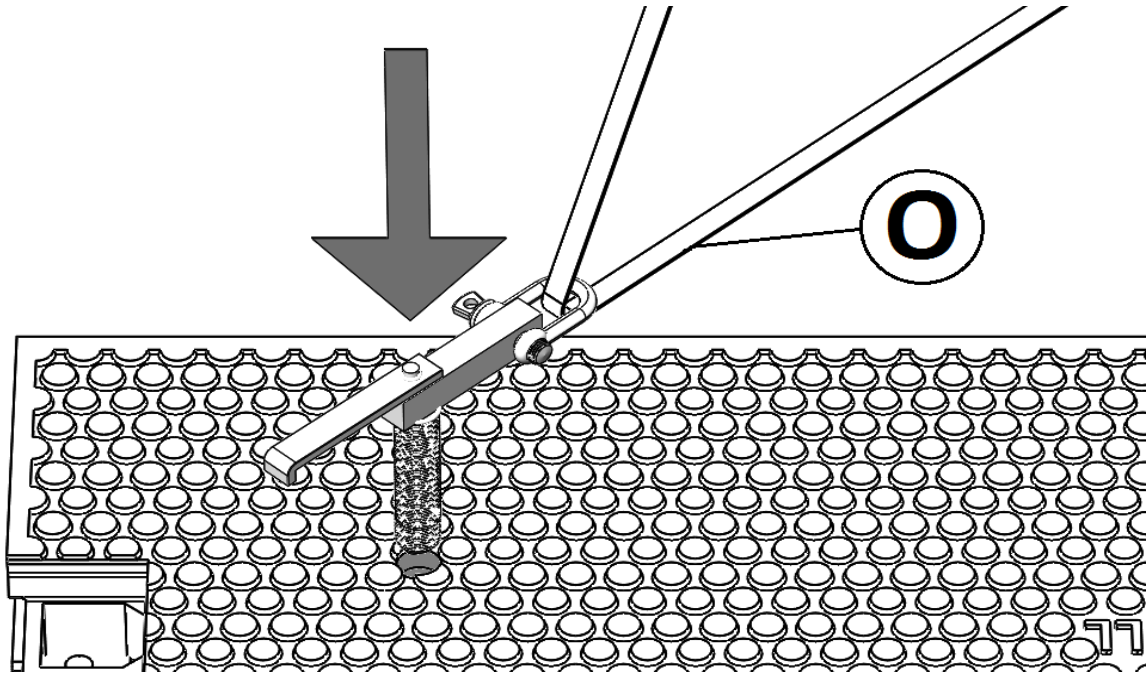
RUBBER PLUG



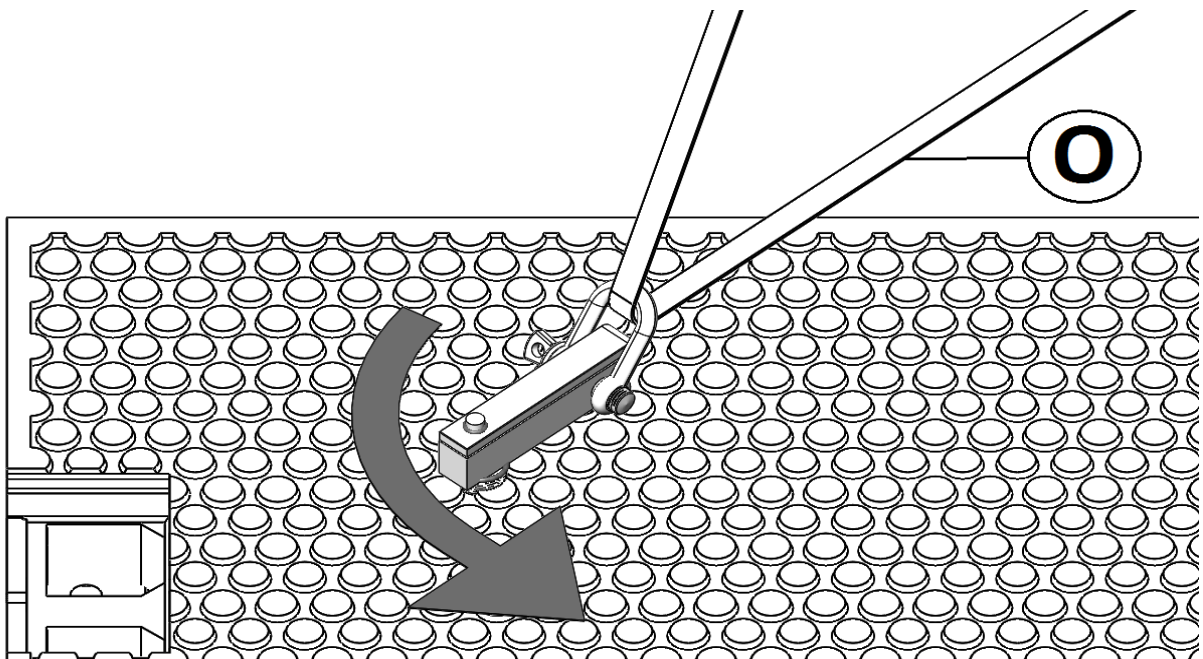
ROSEHILL TOOL KIT



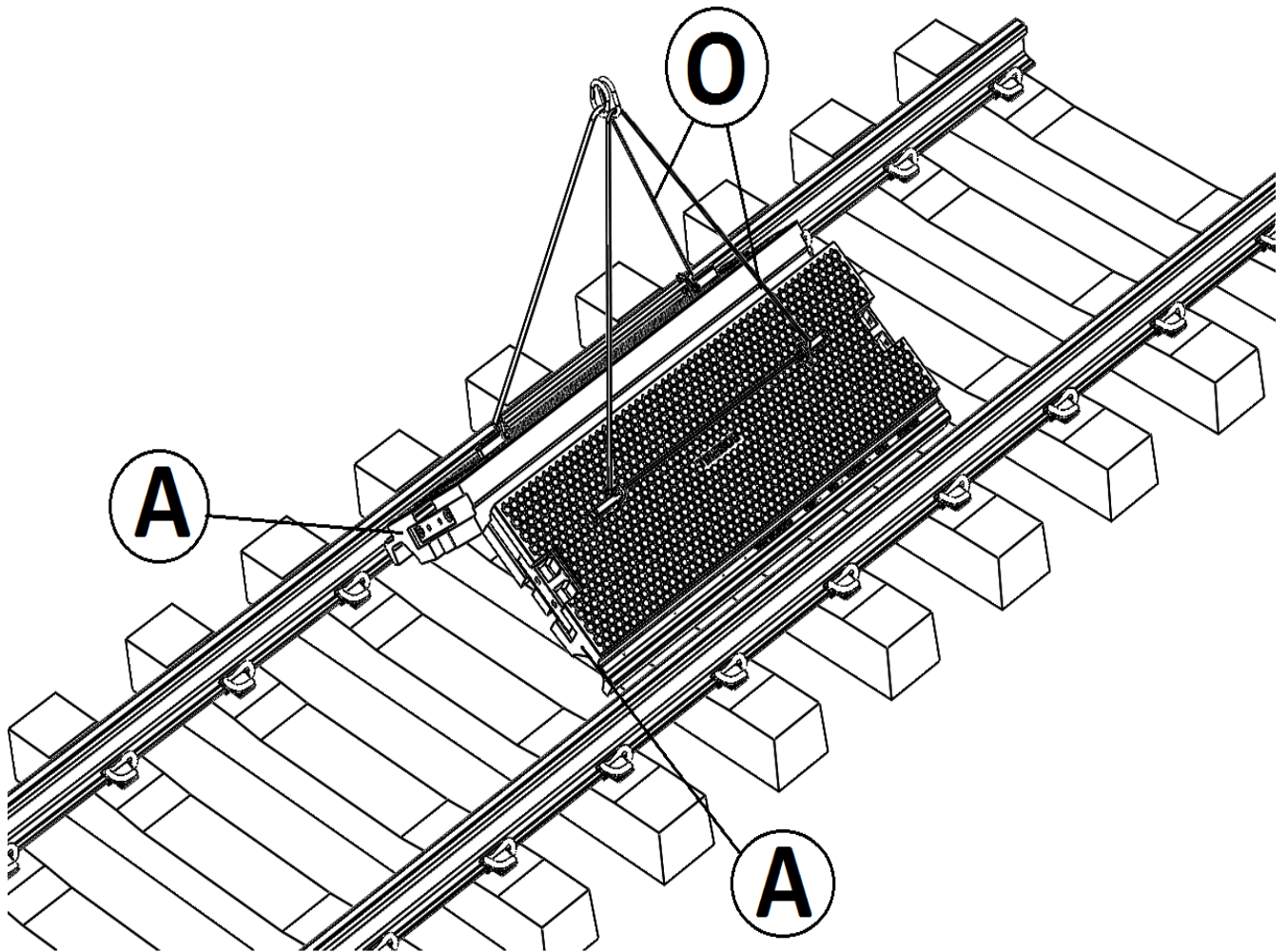
1a

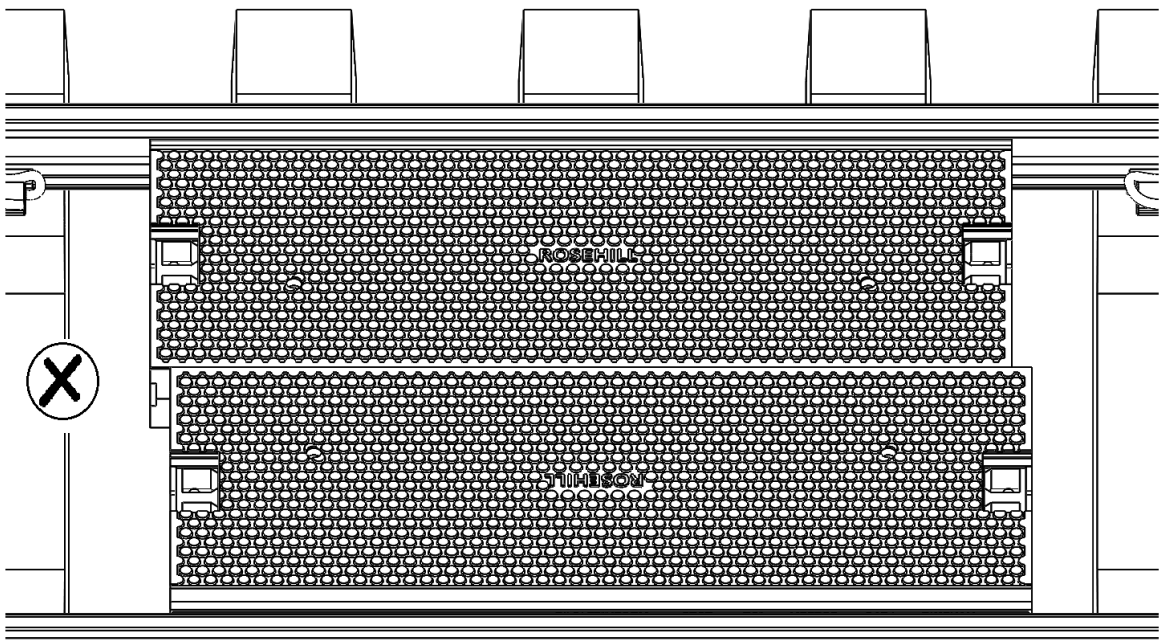
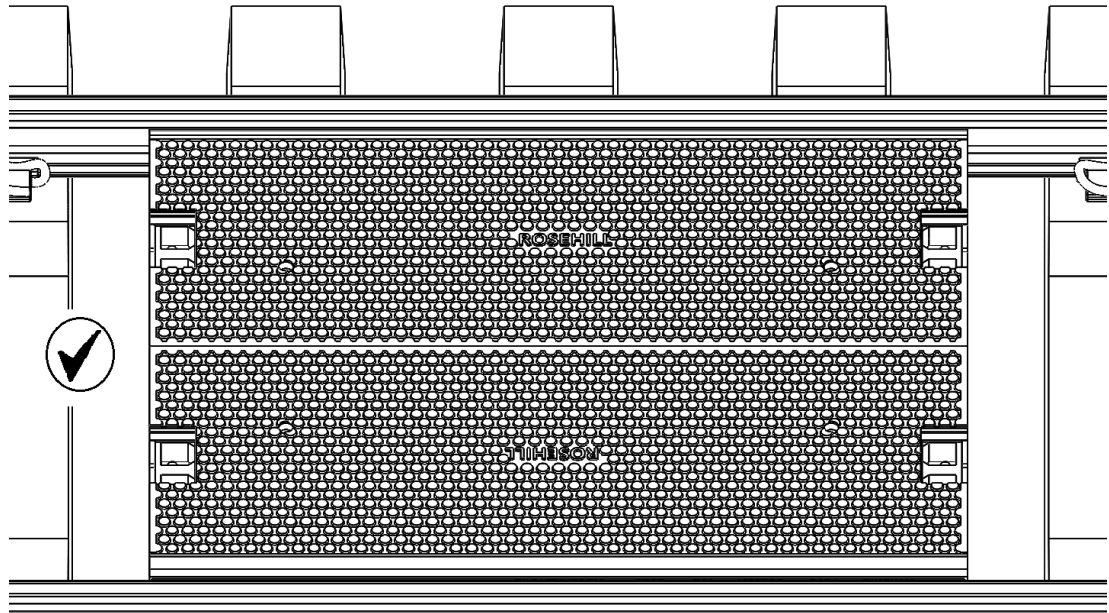


1b

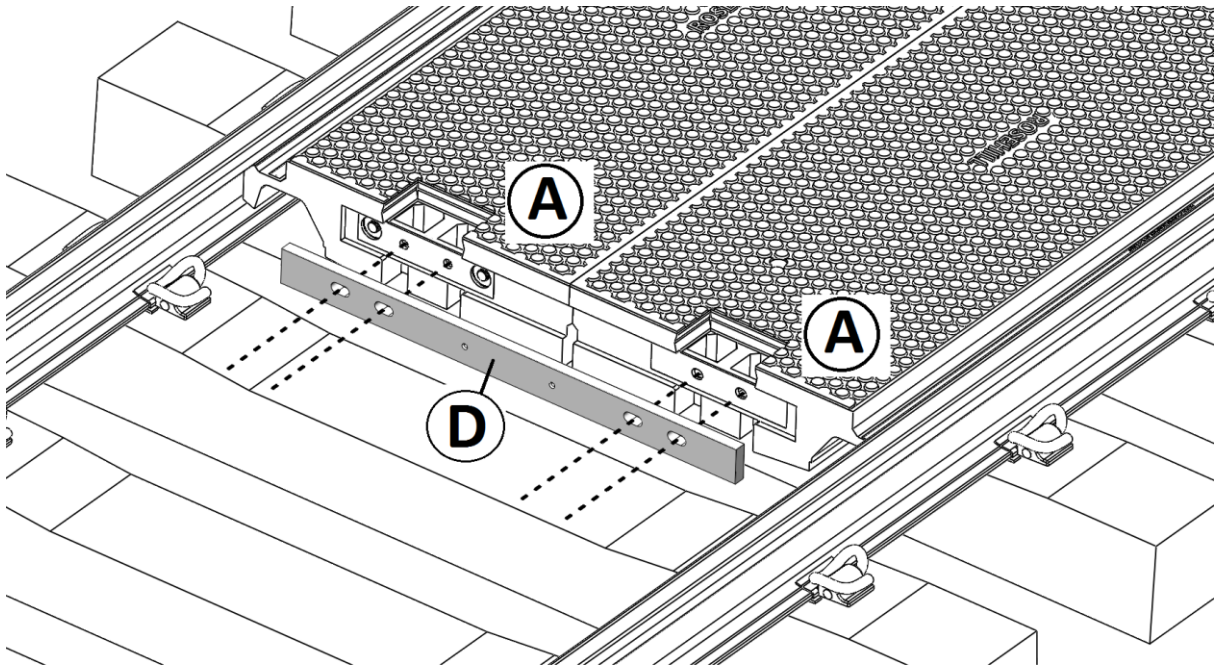


2

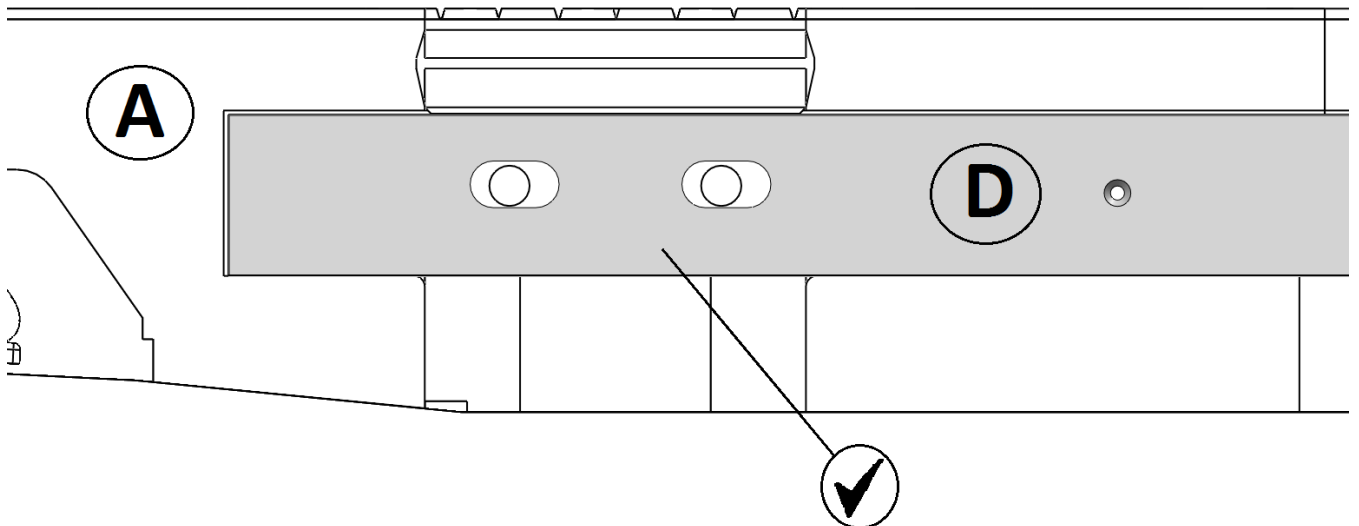




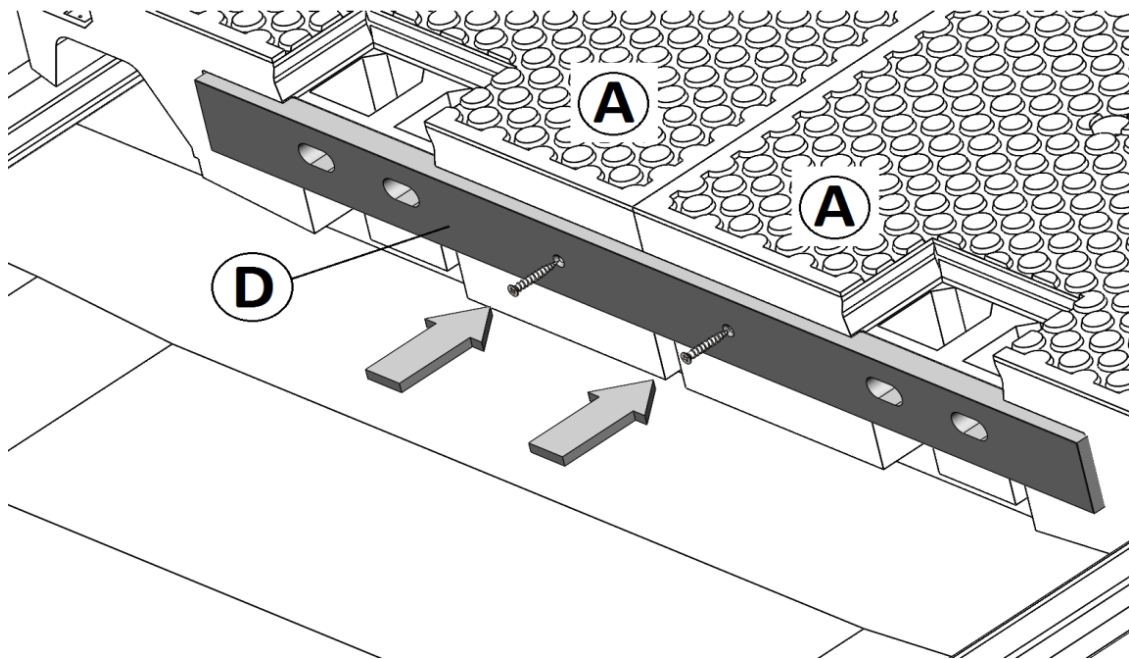
4



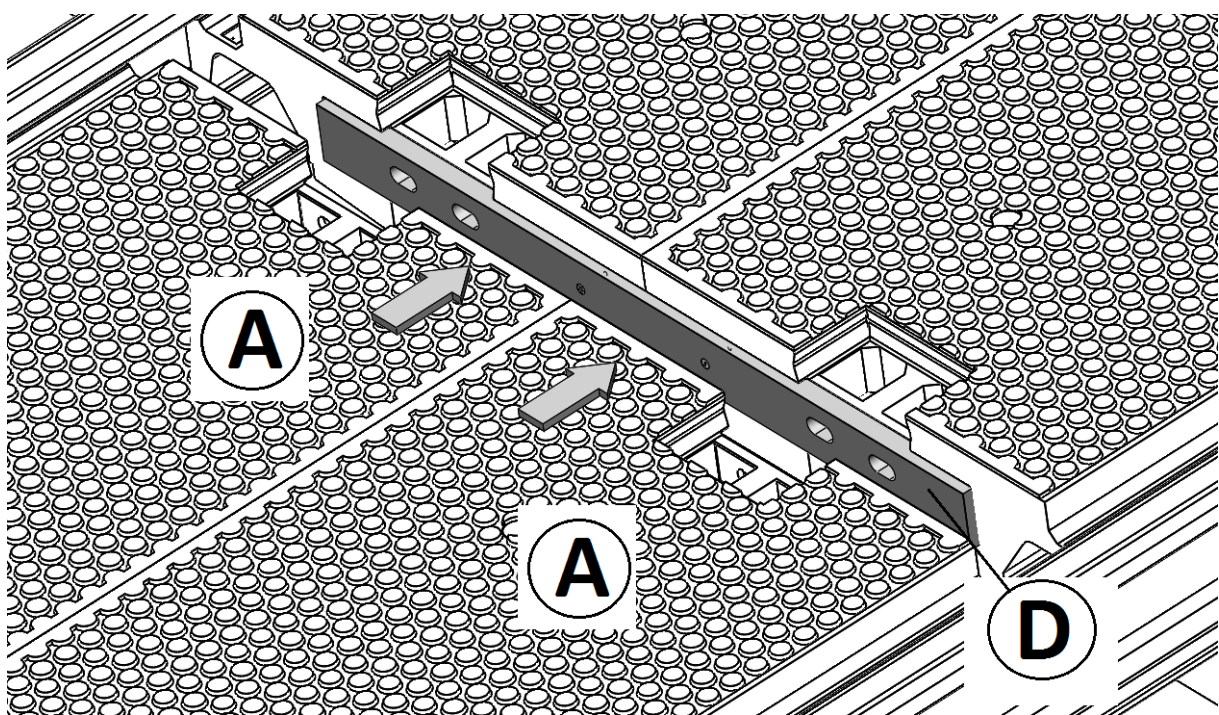
5 

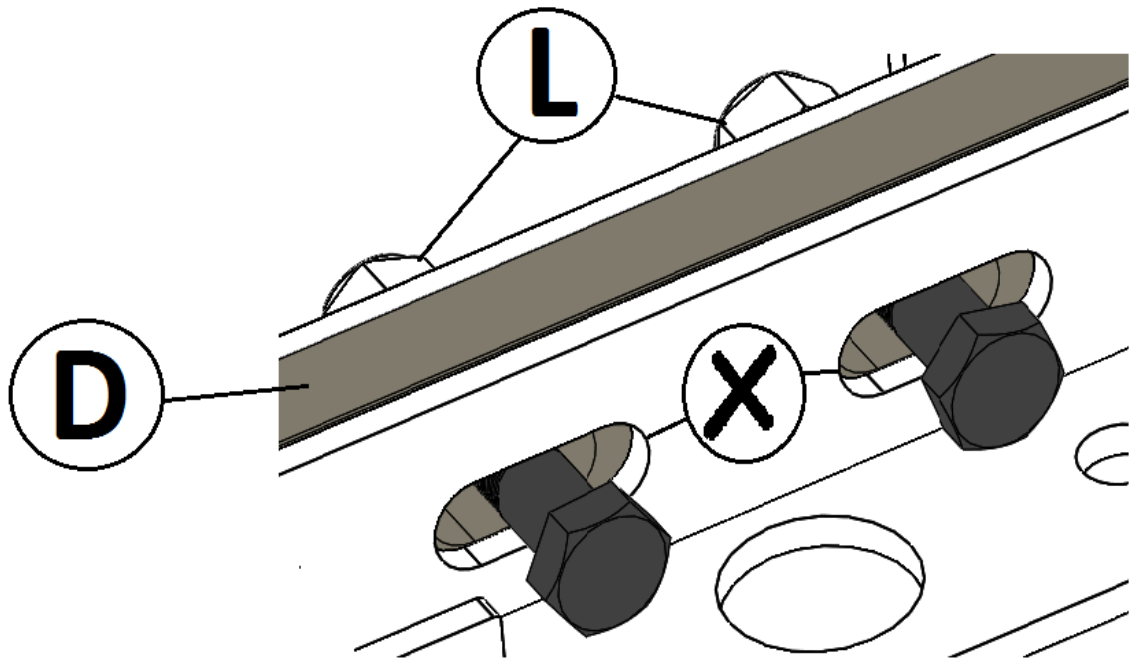
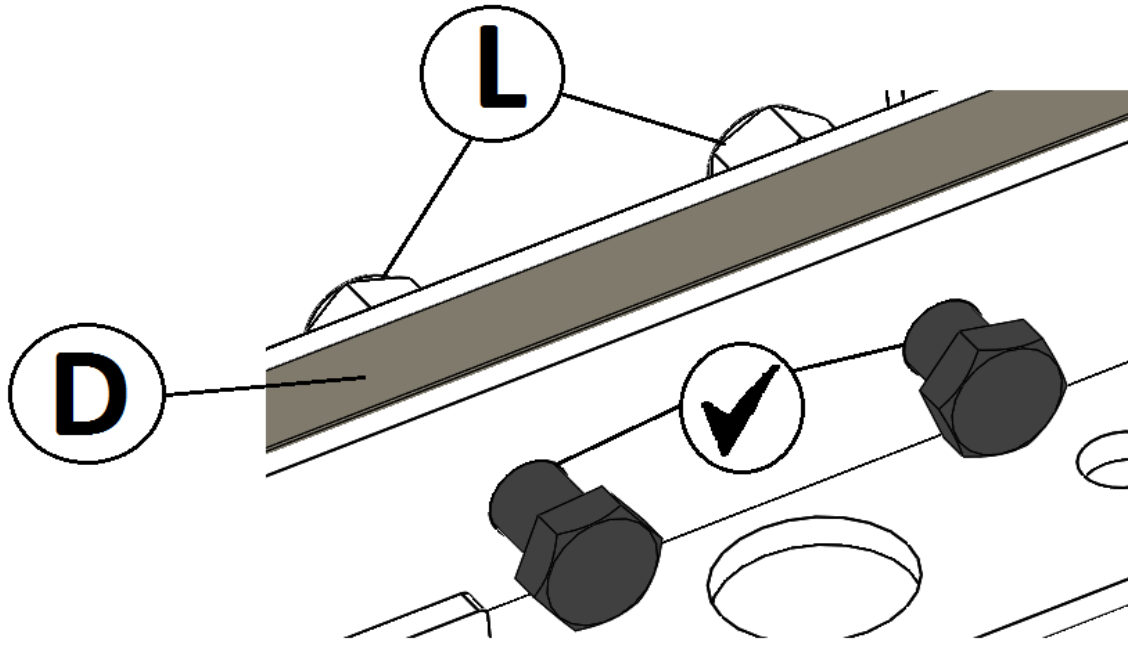
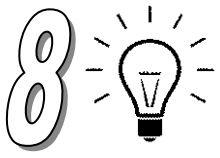


6

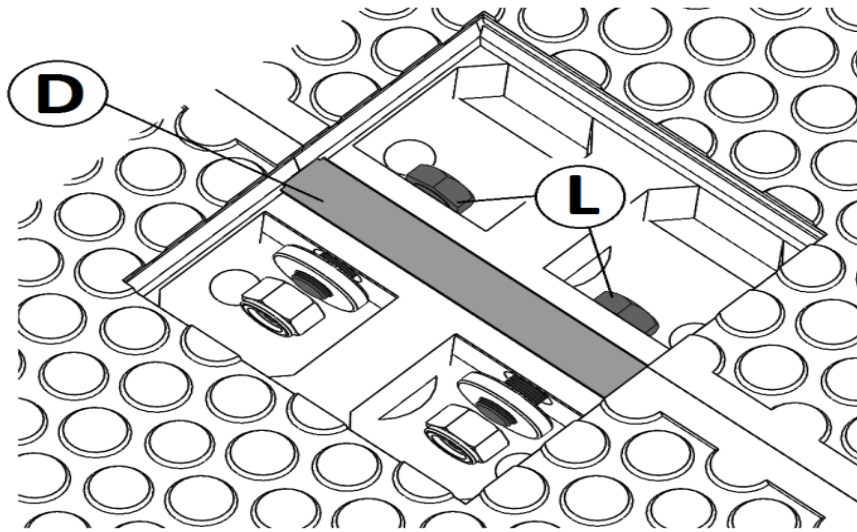



7

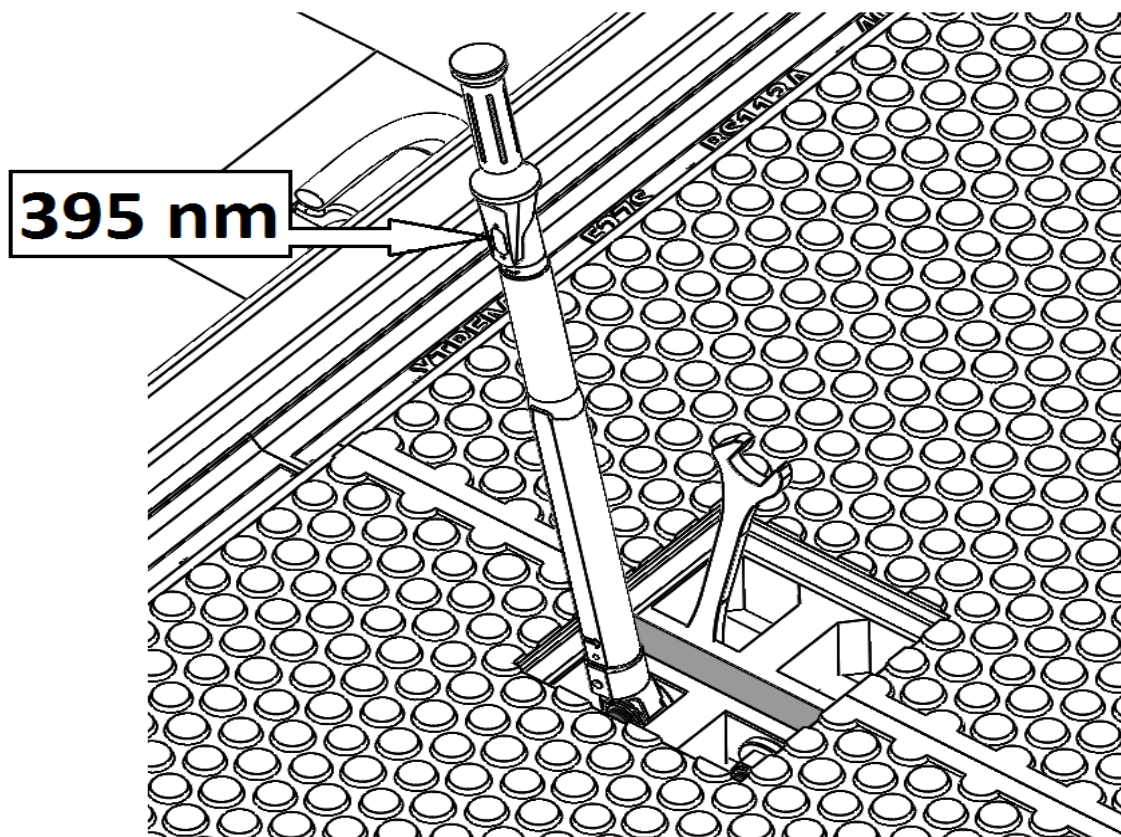


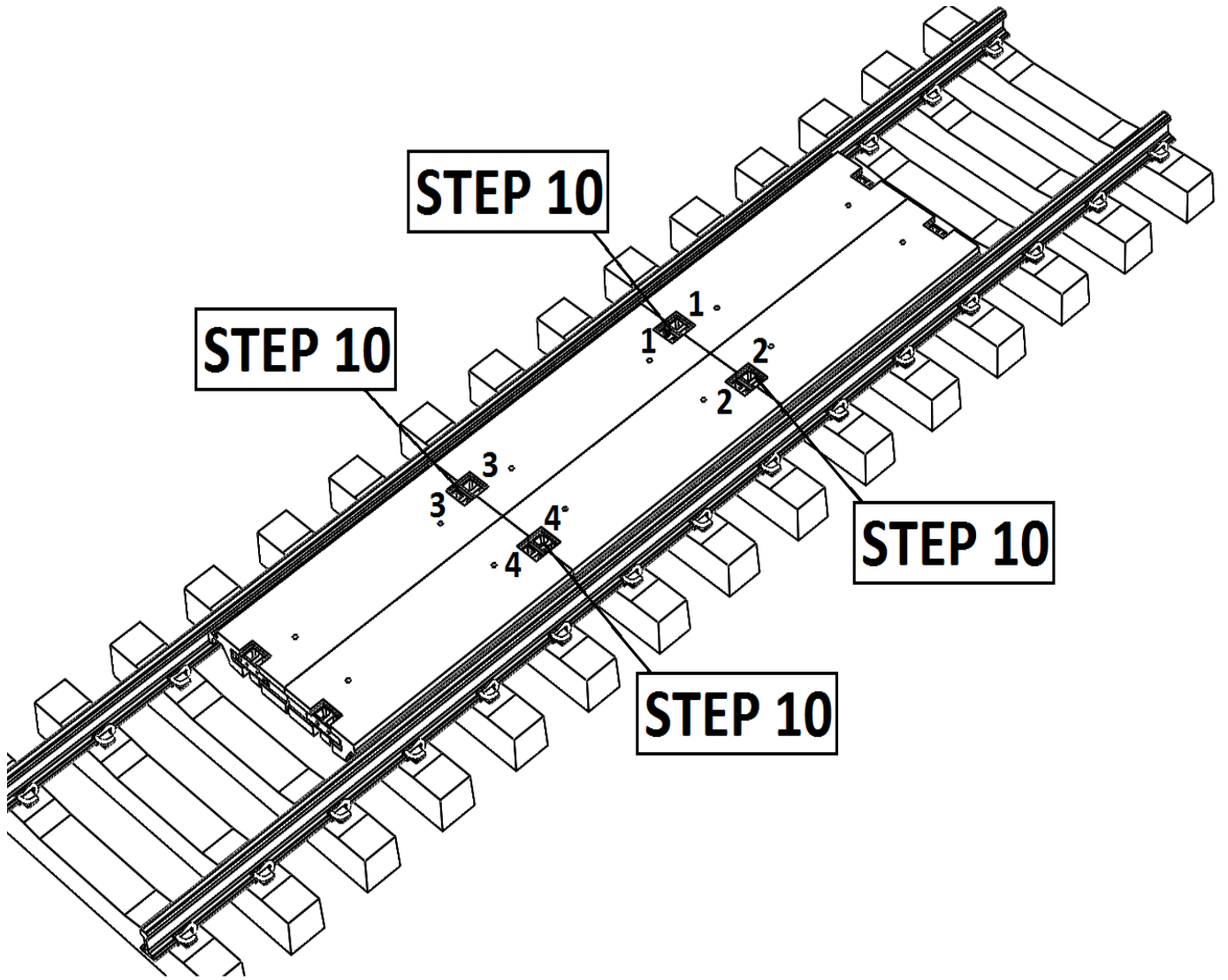


9

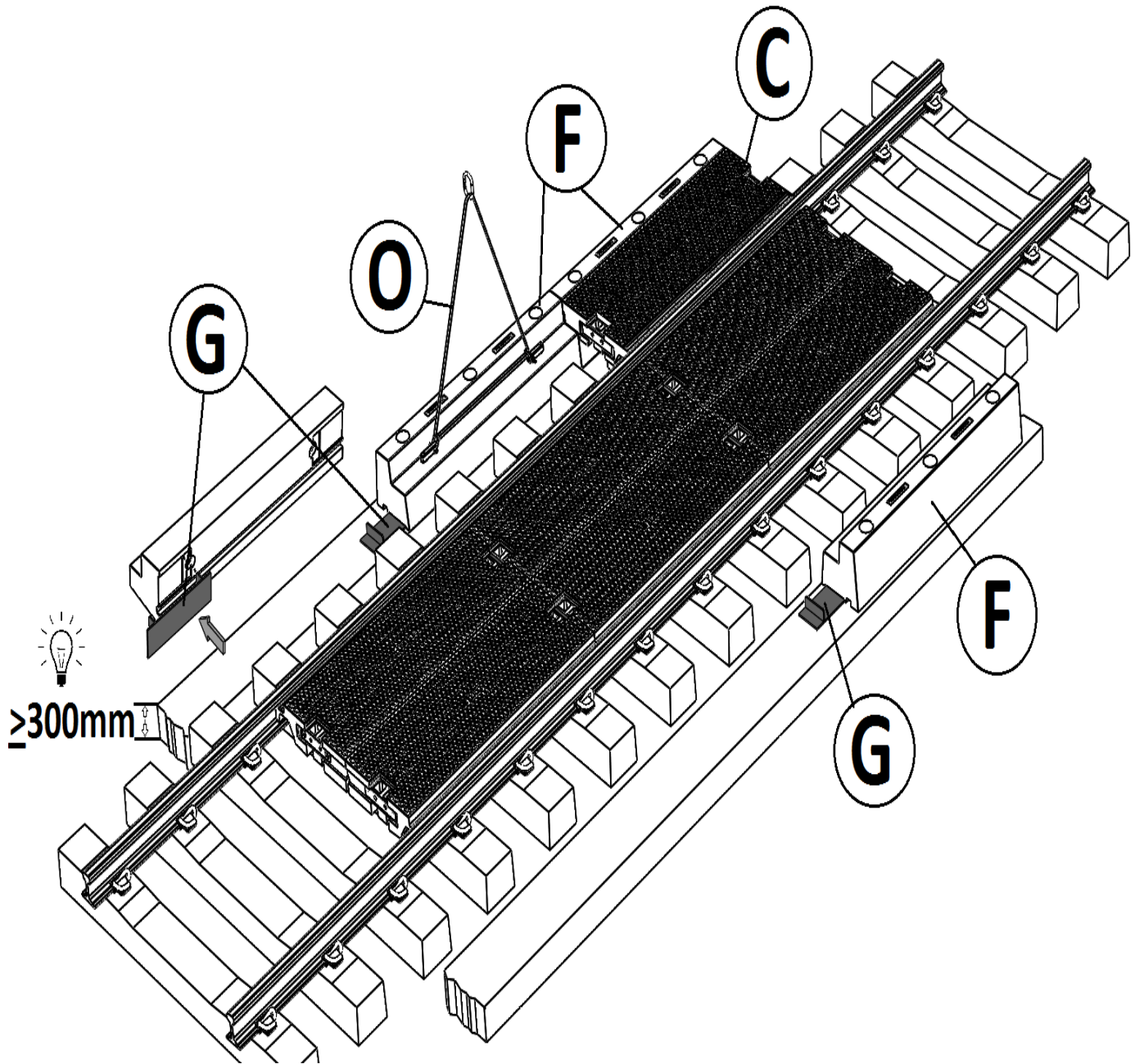


10 

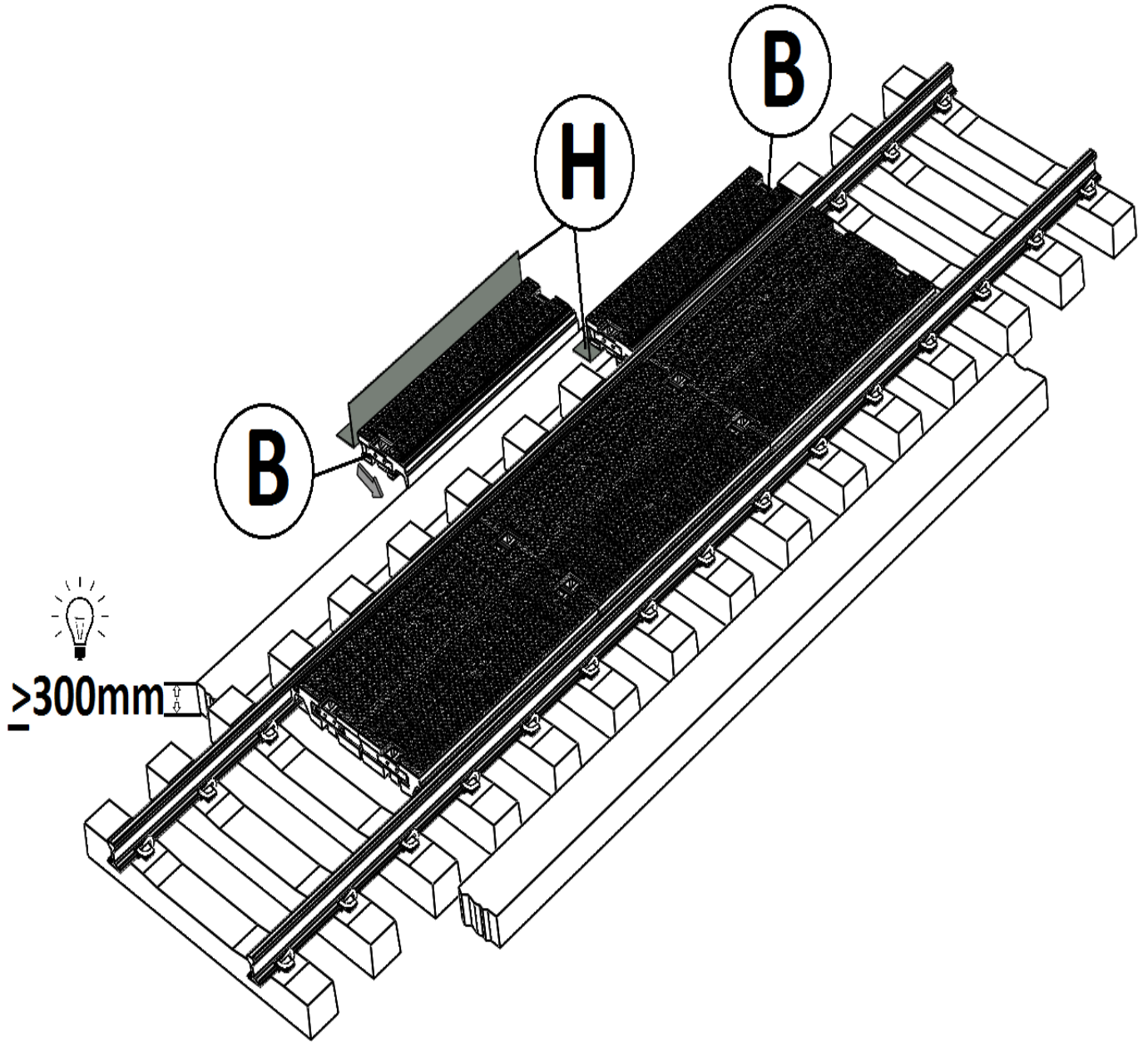




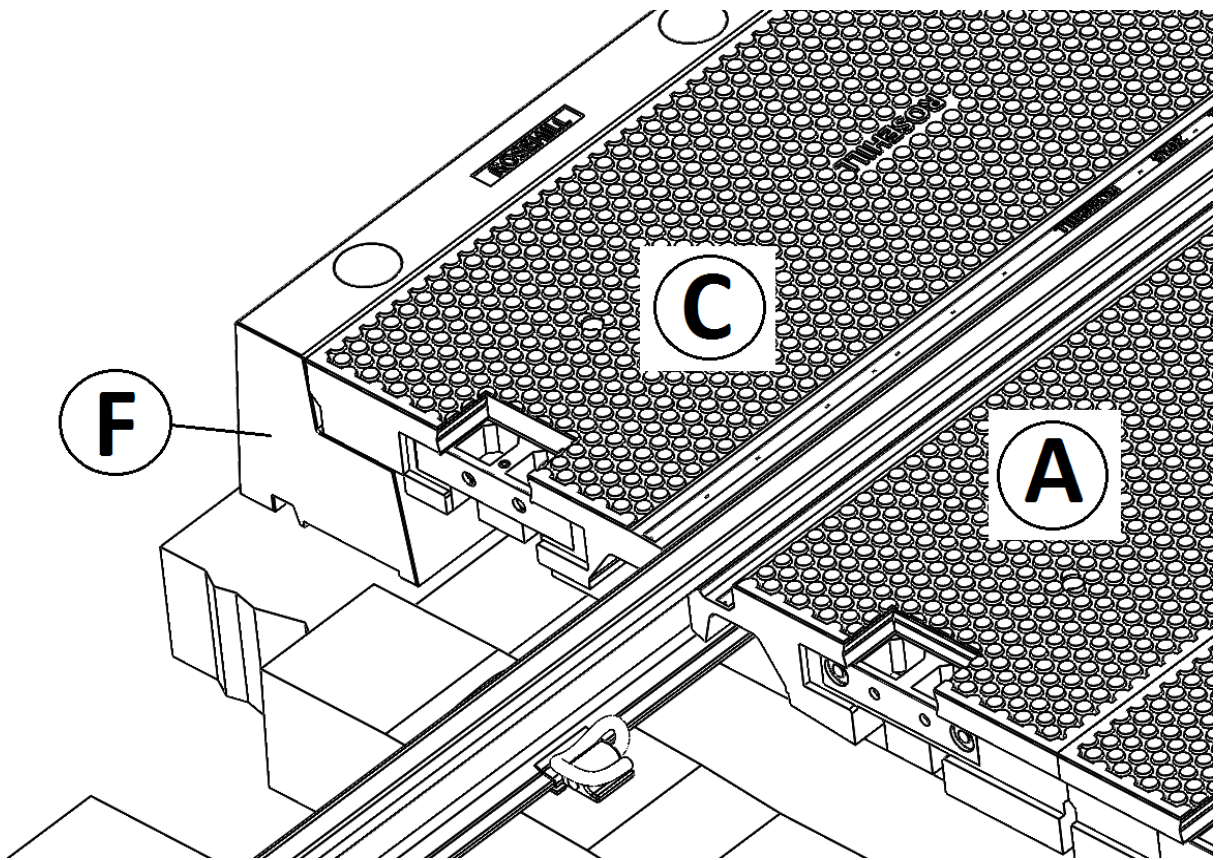
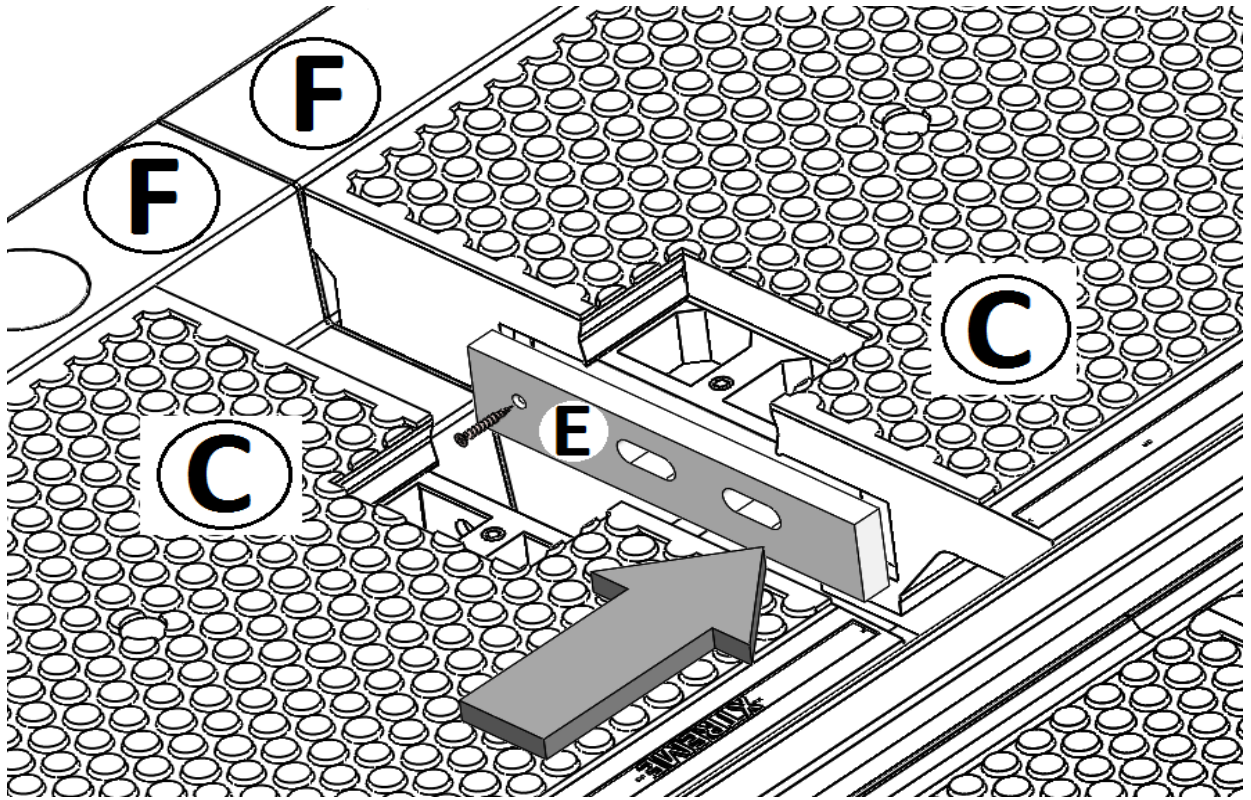
12a

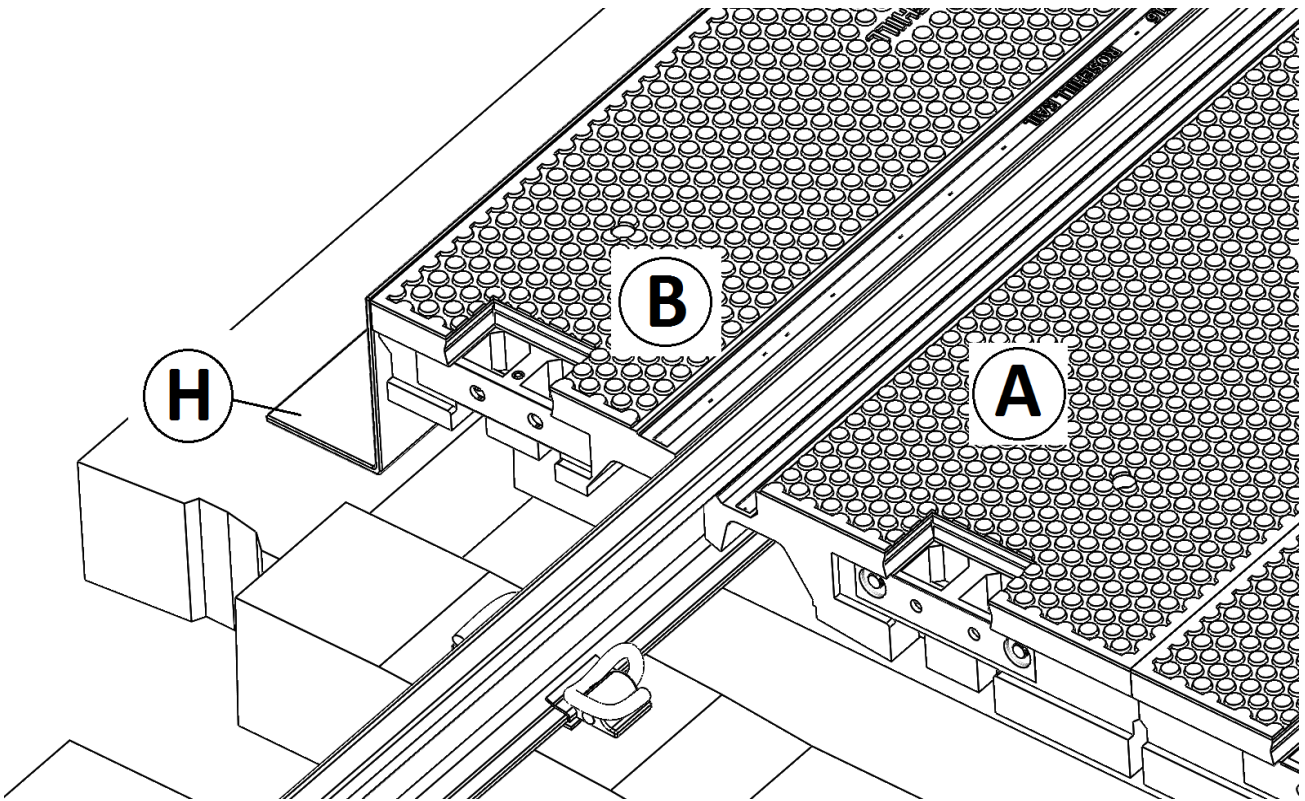
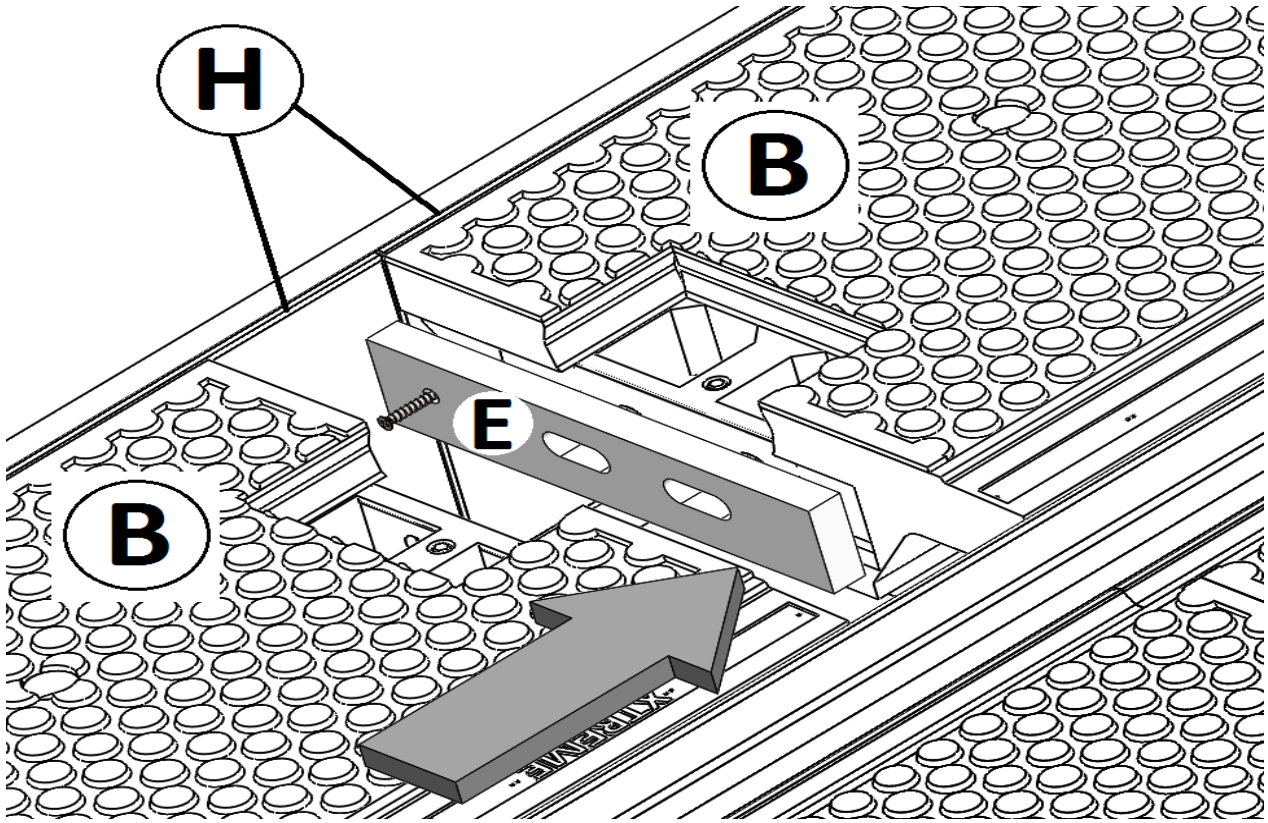


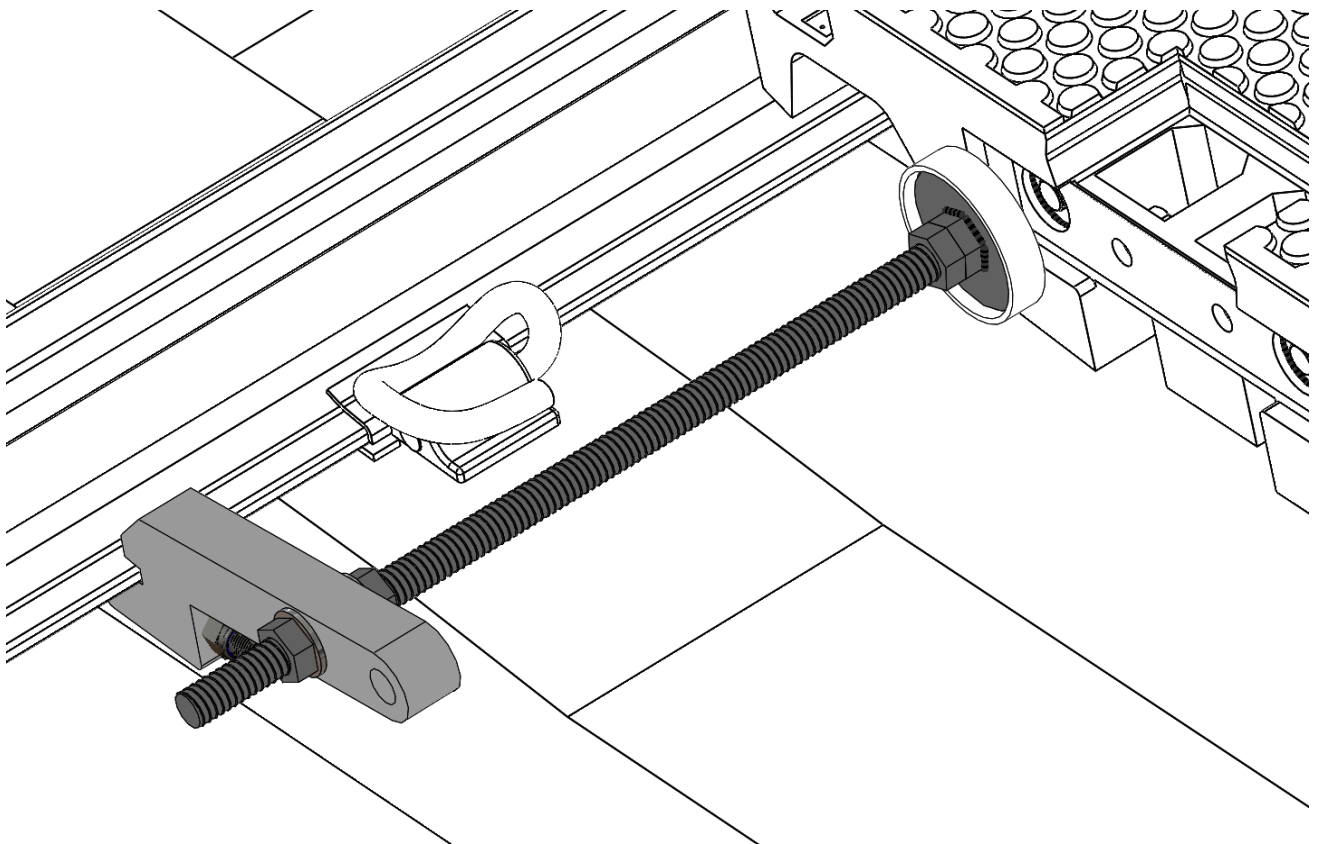
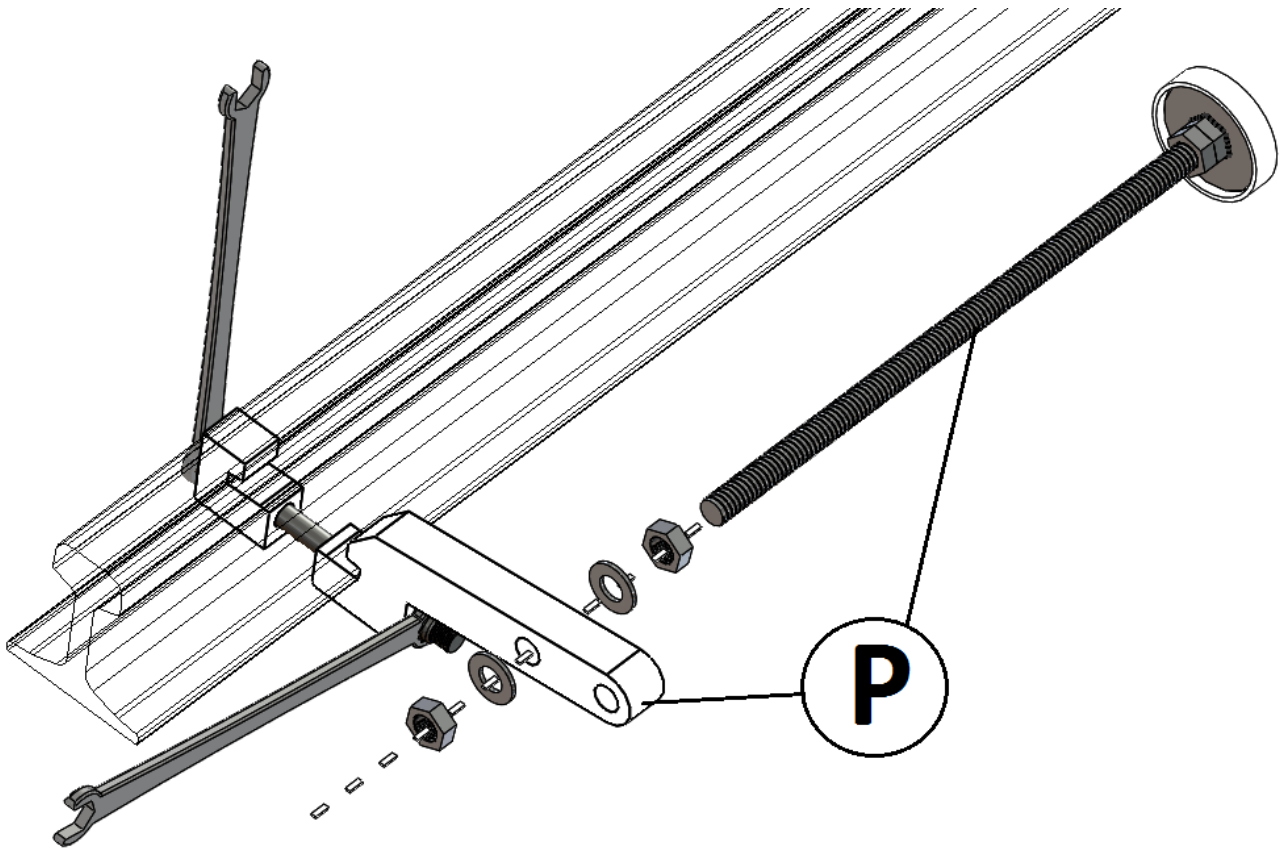
12b

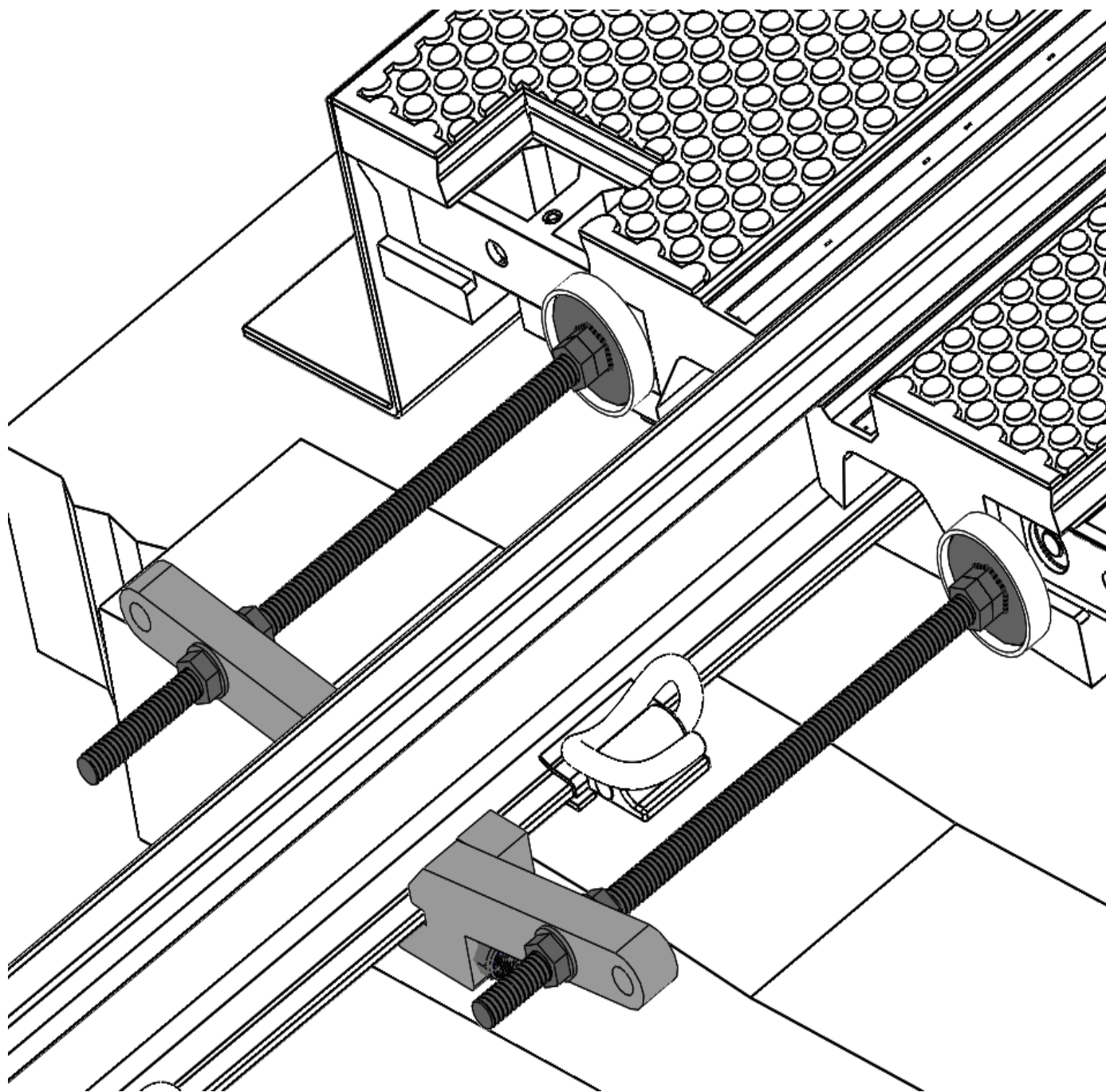


13a

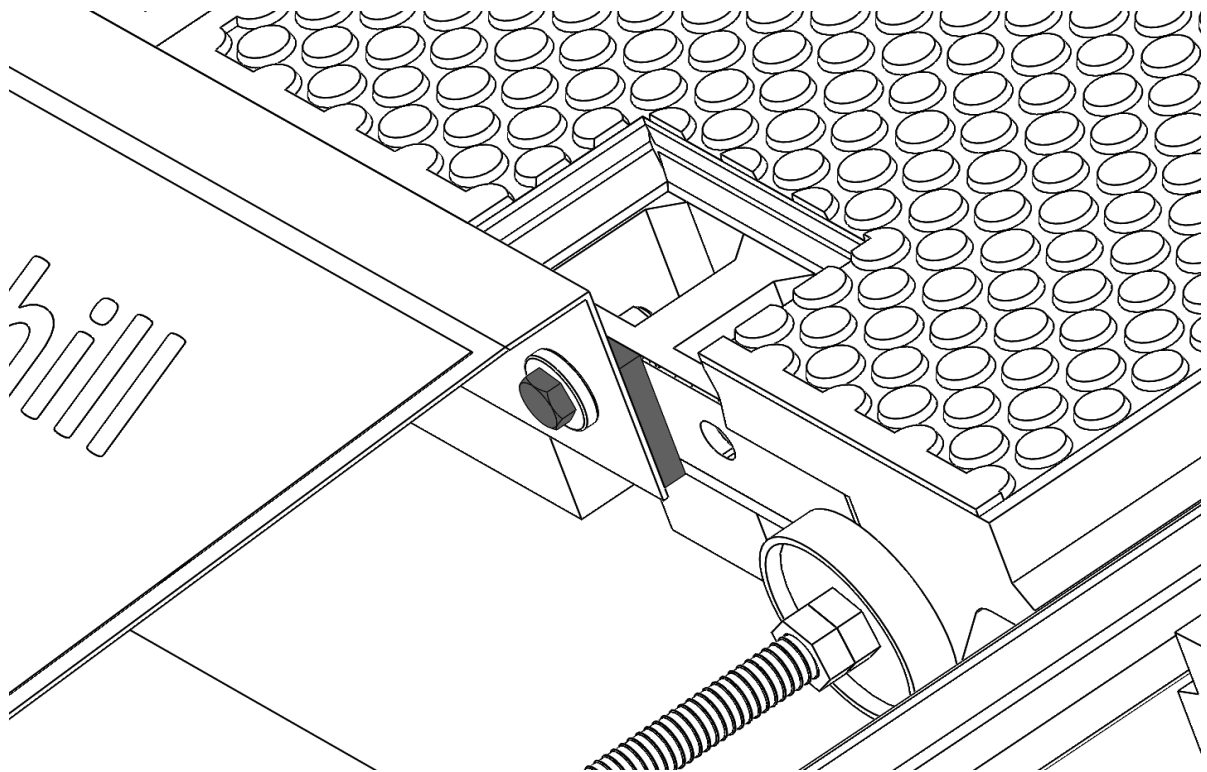
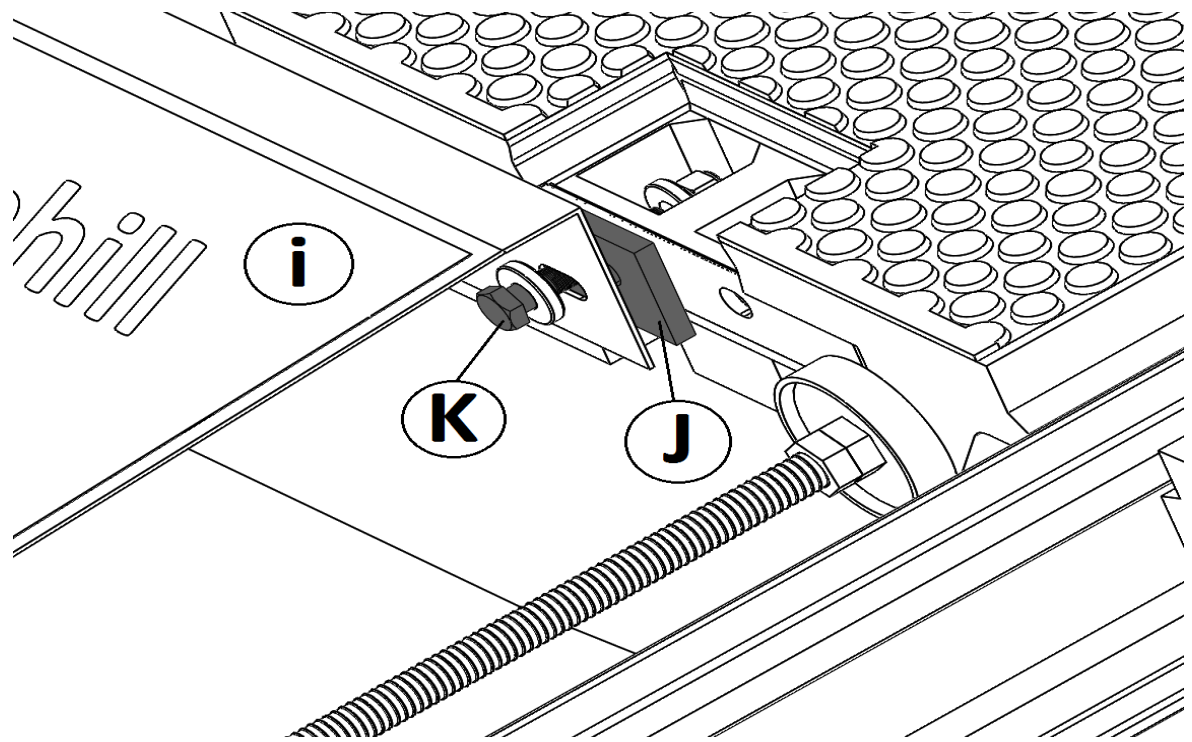


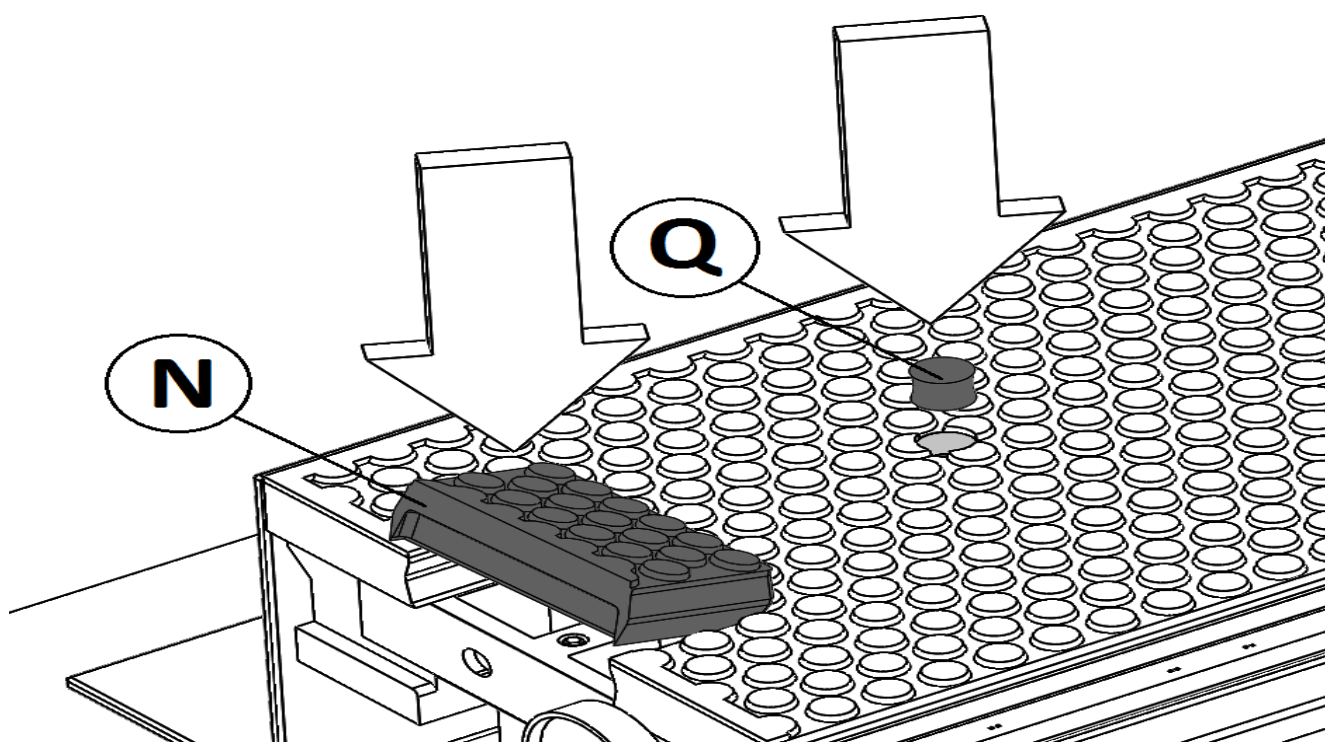
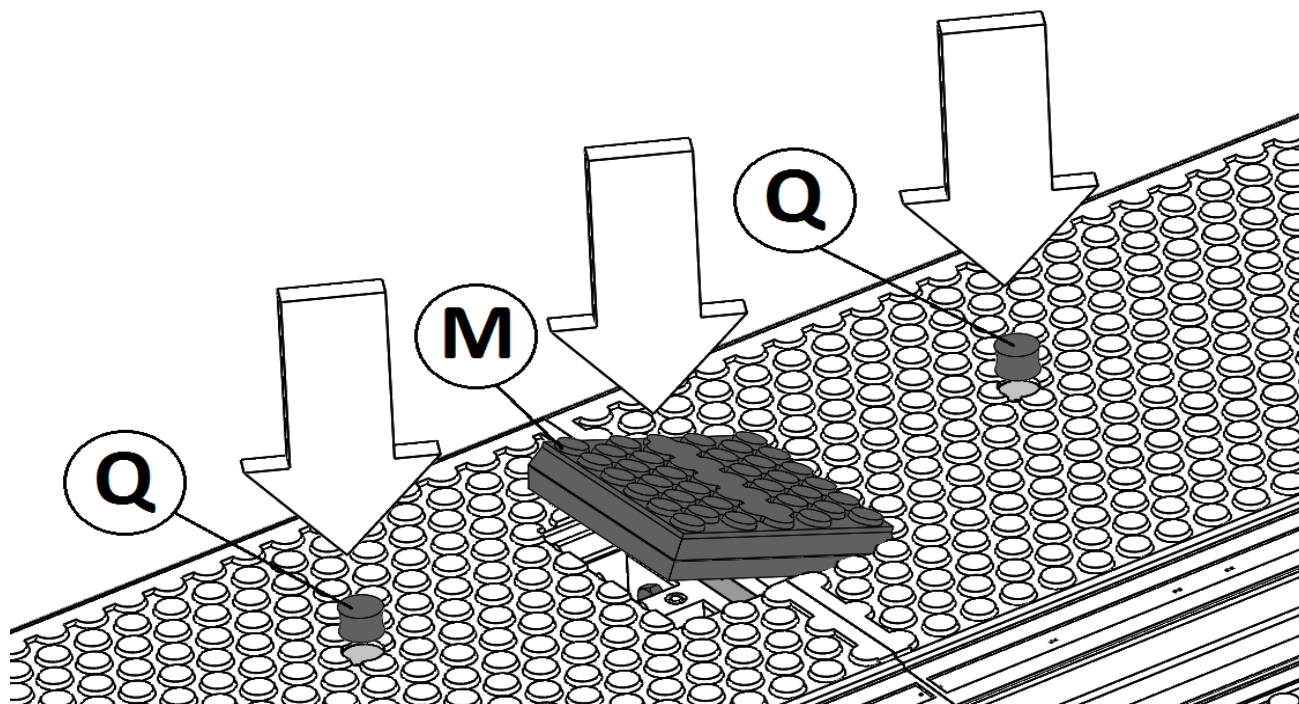


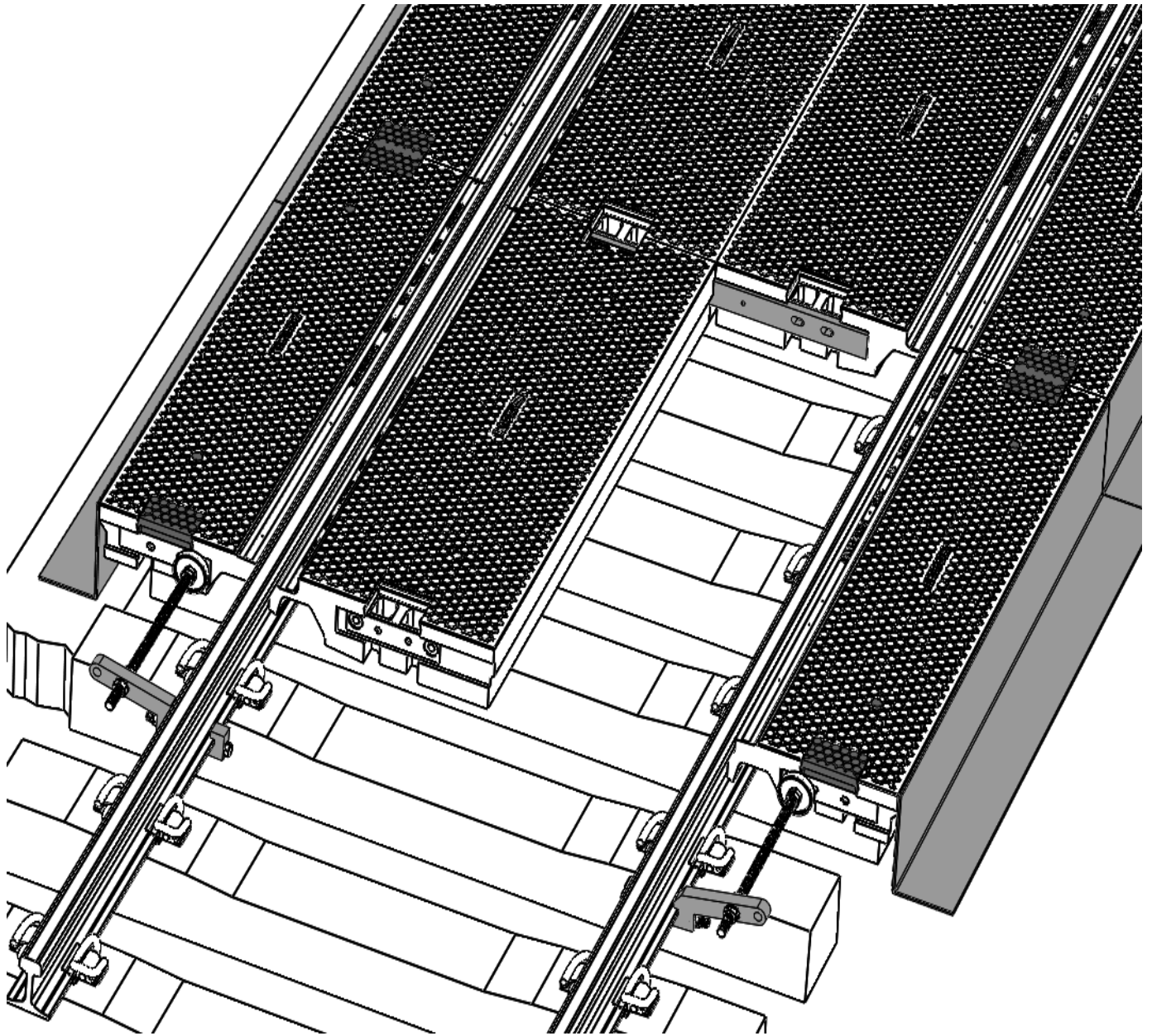




15







Tel.+44 (0)1422 839610

E-mail. sales@rosehillrail.com

E-mail. technical@rosehillrail.com