

80-lb A.S.C.E. specifications

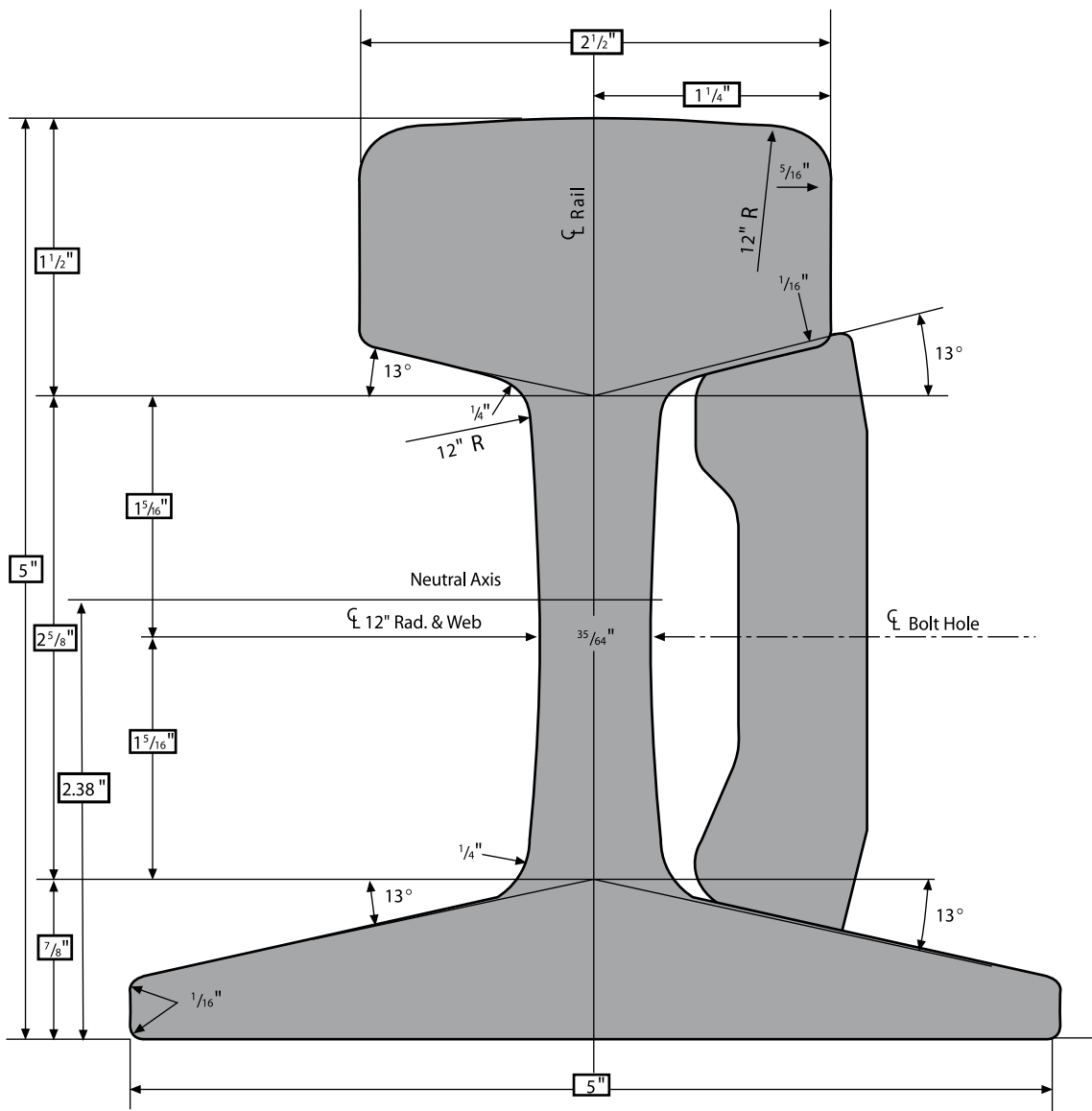
Scale: Drawing is actual size

LB Foster

Rail Products

www.lbfoster.com

866.523.7245



SPLICE BAR

20-1/8" length, 16 lbs. per pair, 7/8" x 4-1/2" button head, oval neck track bolt with heavy square nut.

	39 FT	40 FT
LBS/FT (Nominal)	11.5	11.5
Pairs		
Net Ton	1.9	1.9
Mile of Track	270.0	264.0

ANGLE BARS 24" WITH 7/8" X 5" BOLT

44 lbs. per pair

Full Toe Angle Bars Also Available

RAIL (39 FT, 40 FT)

Area In ²	7.86
Sec. Modulus In ³ Head	10.07
Base	11.08
Mom. Inertia In ⁴	26.38
Lbs/Yd (Nominal)	80.2
Track Feet/Net Ton	37.5
Net Tons/Track Mile	140.8