

60-lb A.S.C.E. specifications

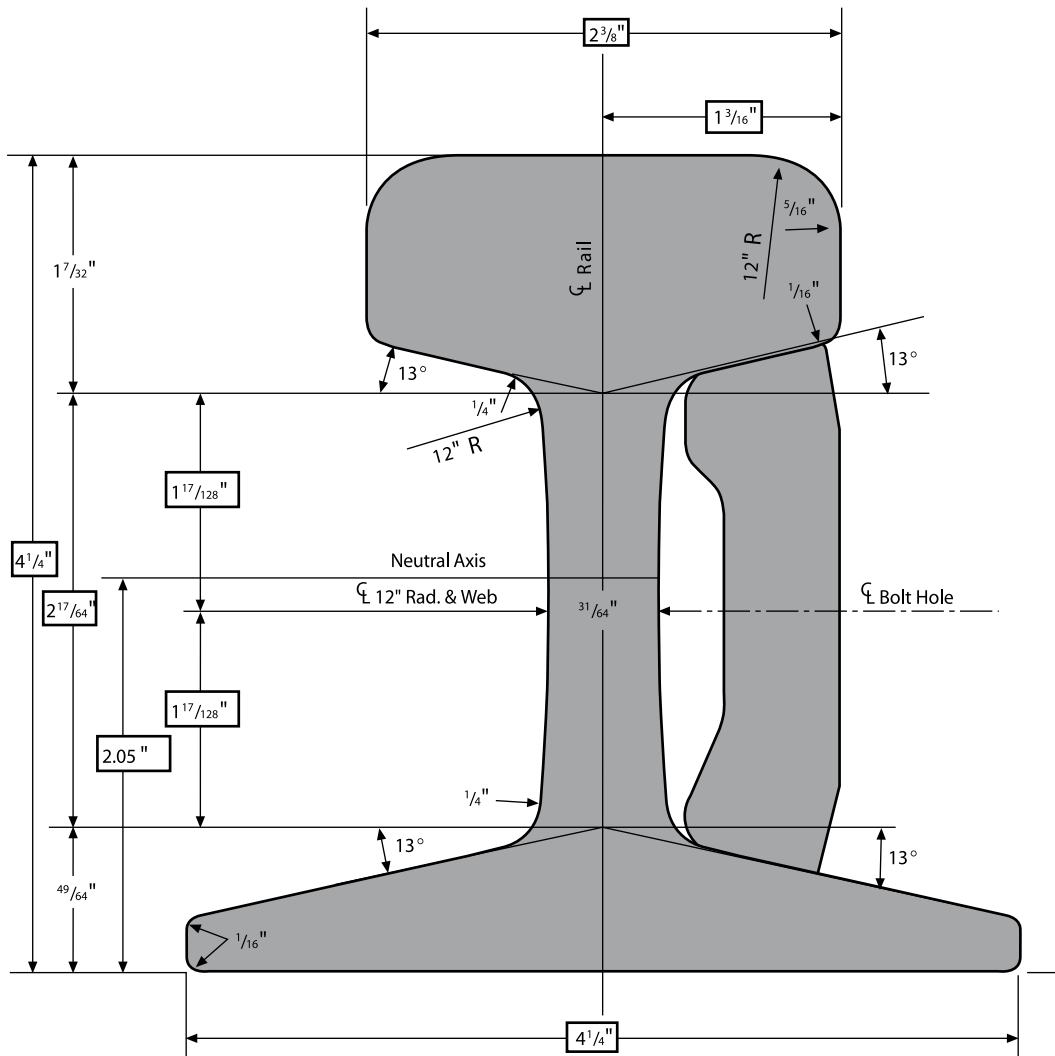
Scale: Drawing is actual size

LB Foster

Rail Products

www.lbfoster.com

866.523.7245



SPLICE BAR

20-1/8" length, 14.2 lbs. per pair. 3/4" x 3-3/4" button head, oval neck track bolt with heavy square nut.

	30 FT	33 FT	39 FT	40 FT
LBS/FT (Nominal)	8.4	8.4	8.4	8.4
Pairs				
Net Ton	3.3	3.0	2.6	2.5
Mile of Track	352.0	320.0	270.0	264.0

ANGLE BARS 20"

27.2 lbs. per pair

Full Toe Angle Bars Also Available

RAIL (30 FT, 33 FT, 39 FT, 40 FT)

Area In ²	5.93
Sec. Modulus In ³ Head	6.62
Base	7.10
Mom. Inertia In ⁴	14.56
Lbs/Yd (Nominal)	60.0
Track Feet/Net Ton	50.0
Net Tons/Track Mile	105.6