

# 25-lb A.S.C.E. specifications

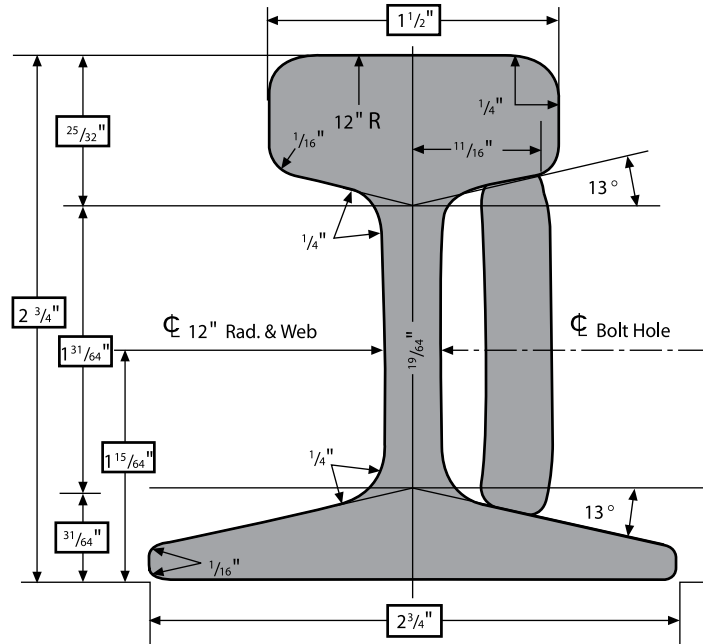
Scale: Drawing is actual size

**LB Foster**

Rail Products

www.lbfoster.com

866.523.7245



## SPLICE BAR

16-1/8" length, 5.5 lbs. per pair. 1/2" x 2-1/2" button head, oval neck track bolt with heavy square nut.

	30 FT	40 FT
LBS/FT (Nominal)	2.14	2.14
Pairs		
Net Ton	8.0	6.0
Mile of Track	352.0	264.0

## RAIL (30 FT,40 FT)

Area In <sup>2</sup>	2.40
Sec. Modulus In <sup>3</sup> Head	1.76
Mom. Inertia In <sup>4</sup>	2.50
Lbs/Yd (Nominal)	25.0
Track Feet/Net Ton	120.0
Net Tons/Track Mile	44.0