

# 104-lb CRANE RAIL specifications

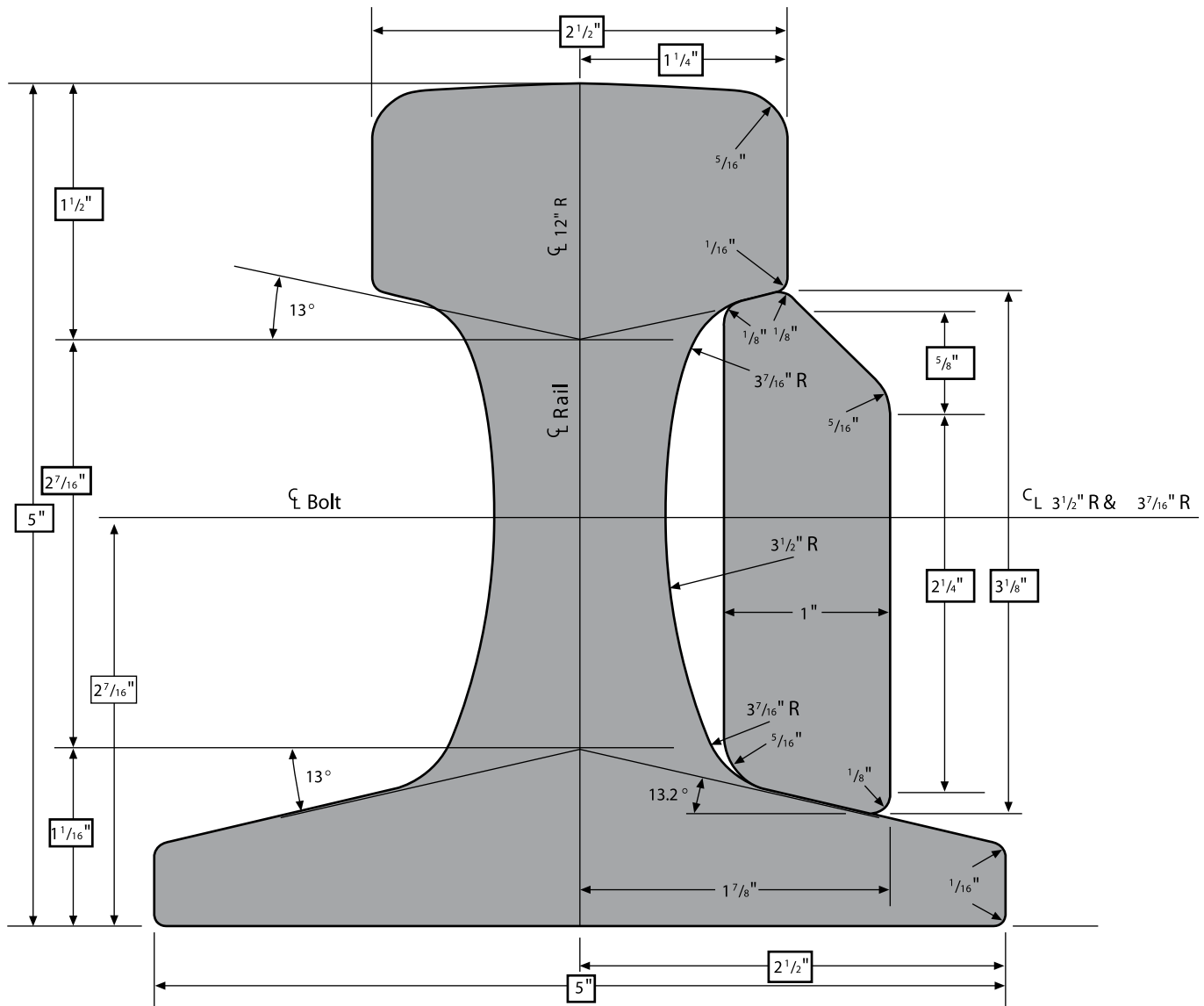
Scale: Drawing is actual size

**LB Foster**

Rail Products

www.lbfoster.com

866.523.7245



## SPLICE BAR

34" length, 52 lbs. per pair. Hex Head Bolts 1" x 5" and Heavy Hex Nuts – Heat Treated

Area In <sup>2</sup>	3.23
Lbs/Ft	10.98
Lbs/Bar	30.1

## RAIL (39 FT, 60 FT, 78 FT)

Area In <sup>2</sup>	10.29
Sec. Modulus In <sup>3</sup> Head	10.69
Base	13.51
Mom. Inertia In <sup>4</sup>	29.84
Lbs/Yd (Nominal)	104.0